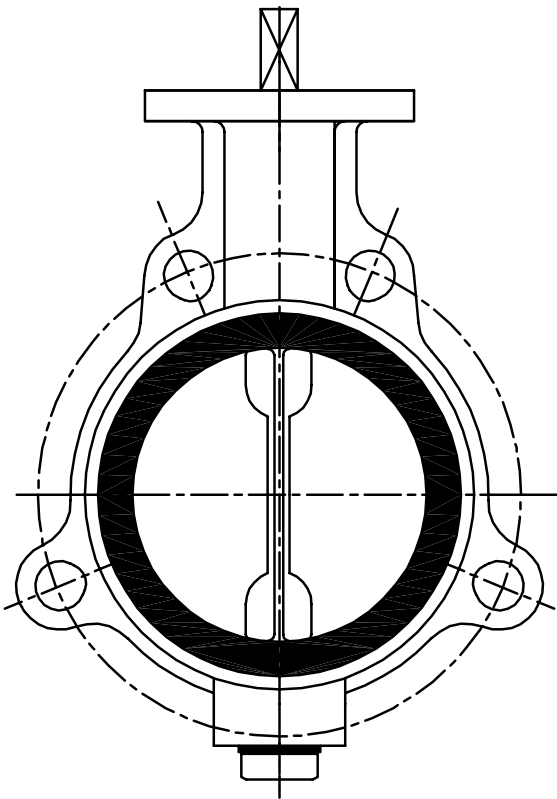
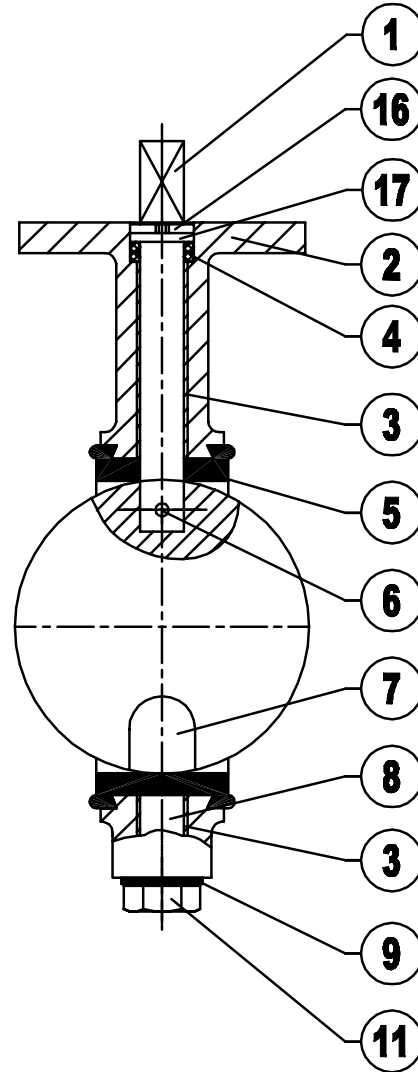




**World-Valve**  
MANUFACTURED IN THE NETHERLANDS



**SIZE 25-500**

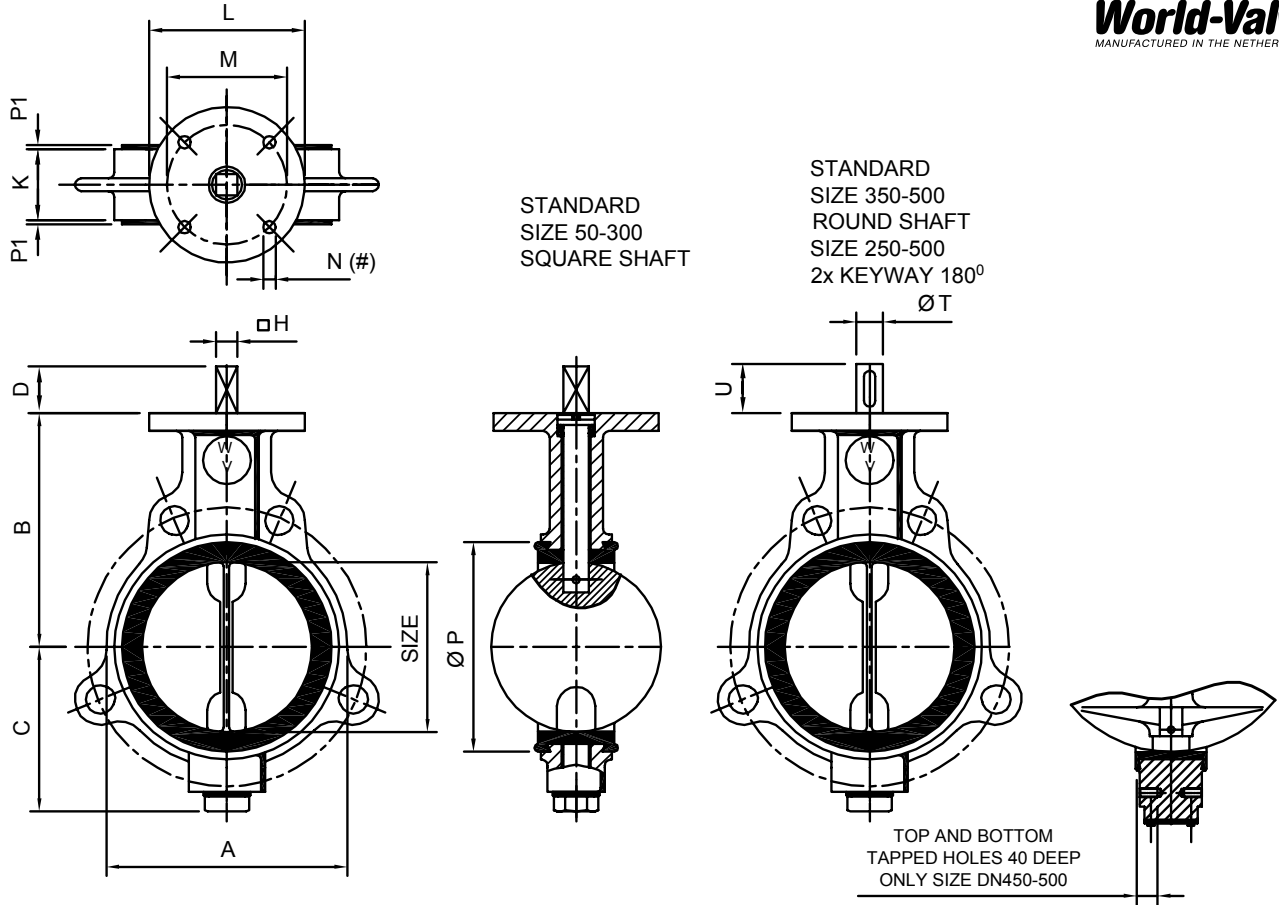


1	AS	SHAFT	SPINDEL	HUSILLO
2	AFSLUITERHUIS	BODY	GEHÄUSE	CAJA
3	LAGERBUS	BEARING	LAGERBUCHSE	COJINETTE
4	O-RING	O-RING	O-RING	ANILLO-O
5	VOERING	LINER	FUTTER	MANQUITO
6	PEN	PIN	STIFT	CLAVIJA
7	KLEP	DISC	KLAPPENSCHIEBE	VALVULA
8	AS	SHAFT	SPINDEL	HUSILLO
9	PAKING	PACKING	PACKUNG	EMPAQUETADURA
11	BOUT	BOLT	SCHRAUBE	PERNO
16	BORGRING	LOCK WASHER	SICHERUNGSRING	ANILLO DE SOJECION
17	RING	RING	RING	ILAVE

FLANGE CONNECTION	
DIN-PN 6/10/16	
ANSI-CLASS 125/150	
JIS-5/10K	
JIS-16K	
WHEN REQUESTED	

FIGURE: MATERIAL COMBINATION				ONLY SIZE 250-500
TYPE	B	C	D	X
BODY	STANDARD DUCTILE IRON GGG-40			
DISC	AL.BRONZE	AISI-316	AL.BRONZE	GGG-40
SHAFT	AISI-316	AISI-316	AL.BRONZE	AISI-304
PINS	STANDARD DUPLEX			
LINER	STANDARD BUNA-N OR EPDM			

WHEN REQUESTED					
BODY	B-AL.BRONZE	A-AISI-304 C-AISI-316	S-RST- 37/2 G-GSC-25	K-SILUMIN	
DISC	J-DUPLEX	H-HASTELLOY			
SHAFT AND PINS	M-MONEL K-500	H-HASTELLOY	J-DUPLEX		
LINER	V-VITON	H-HYPALON	S-SILICONE	N-NITRIL FOOD	U-VULKOLAN
TOPFLANGE ACC. ISO-5211					



### DIMENSIONS

SIZE mm	SIZE inch	A	B	C	D	H	K	L	M	N	P	P1	T	U	Kg
25	1	71	124	48	37	12	33	90	66	9	62	1.5	16	40	3
32	1.25	80	126	55	37	12	33	90	66	9	70	1.5	16	40	3
40	1.5	90	130	59	37	12	33	90	66	9	80	1.5	16	40	3
50	2	105	128	70	37	12	43	90	66	9	85	1.5	16	40	3
65	2.5	125	136	80	37	12	46	90	66	9	100	1.5	16	40	3
80	3	140	144	88	37	12	46	90	66	9	115	1.5	16	40	4
100	4	160	154	98	37	12	52	90	66	9	135	1.5	16	40	4
125	5	190	184	114	37	16	56	130	80	11	165	2	20	40	5
150	6	215	194	124	37	16	56	130	80	11	190	2	20	40	7
200	8	270	229	180	37	16	60	130	80	11	240	2	22	40	14
250	10	326	261	190	37	24	68	175	135	14	295	3	30	50	23
300	12	375	286	220	37	24	78	175	135	14	345	3	30	50	30
350	14	435	322	260	-	-	78	175	135	14	400	3	35	50	40
400	16	485	352	280	-	-	102	175	135	14	440	3	40	60	48
450	18	535	380	325	-	-	114	175	135	14	490	3	45	60	75
500	20	590	420	340	-	-	127	175	135	14	550	3	45	60	95

K = FACE TO FACE ACC. DIN-3202 K1 (ISO SERIES 20) (BS-SHORT) (API-609)

### PRESSURE TABLE

STANDARD DELIVERY			WHEN REQUESTED			
STANDARD WORKING/TESTPRESSURE			MAXIMUM WORKING/TESTPRESSURE			
SIZE mm	WP ΔP-BAR	TP ΔP-BAR	SIZE mm	WP ΔP-BAR	TP ΔP-BAR	ONE PIECE SHAFT
25-150	10	11	25-150	16	18	-
			200-300	10	11	-
200-500	6	7	350-500	10	11	YES
			200-500	16	18	YES

BODY TEST 1.5 X PN