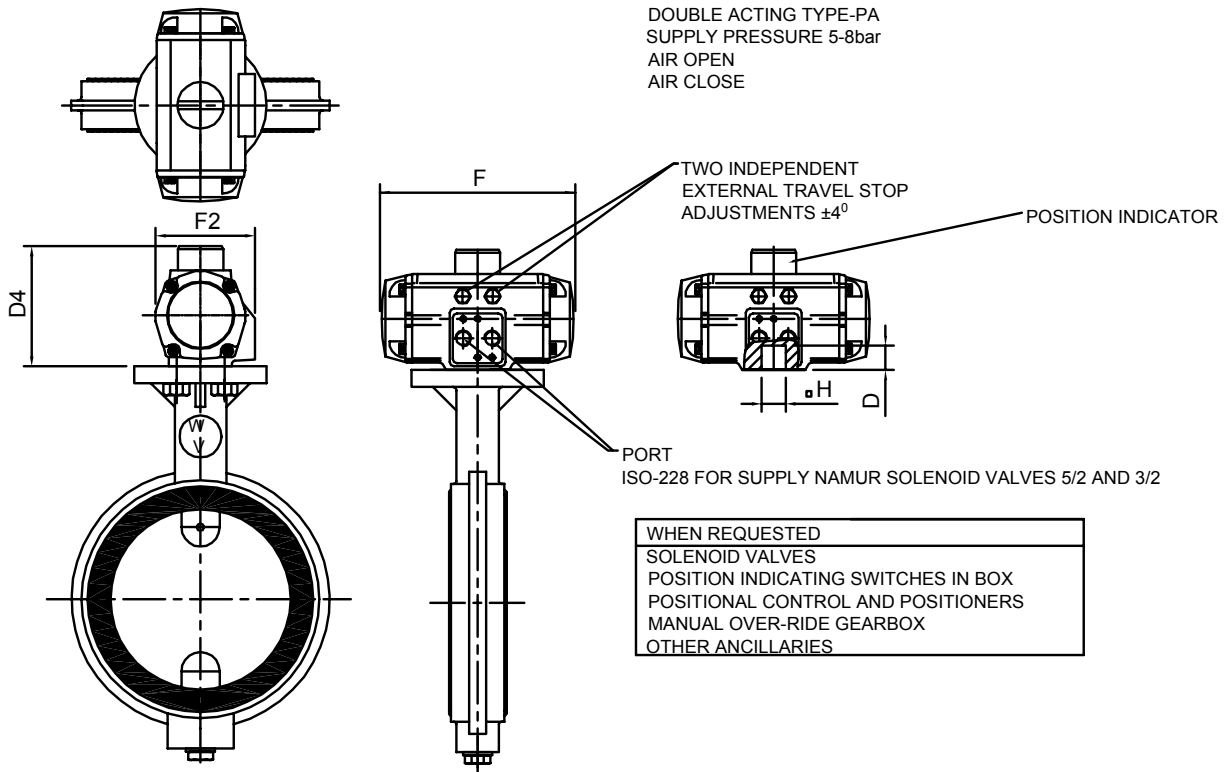


# PA-SERIES

## PNEUMATIC ACTUATORS DOUBLE ACTING

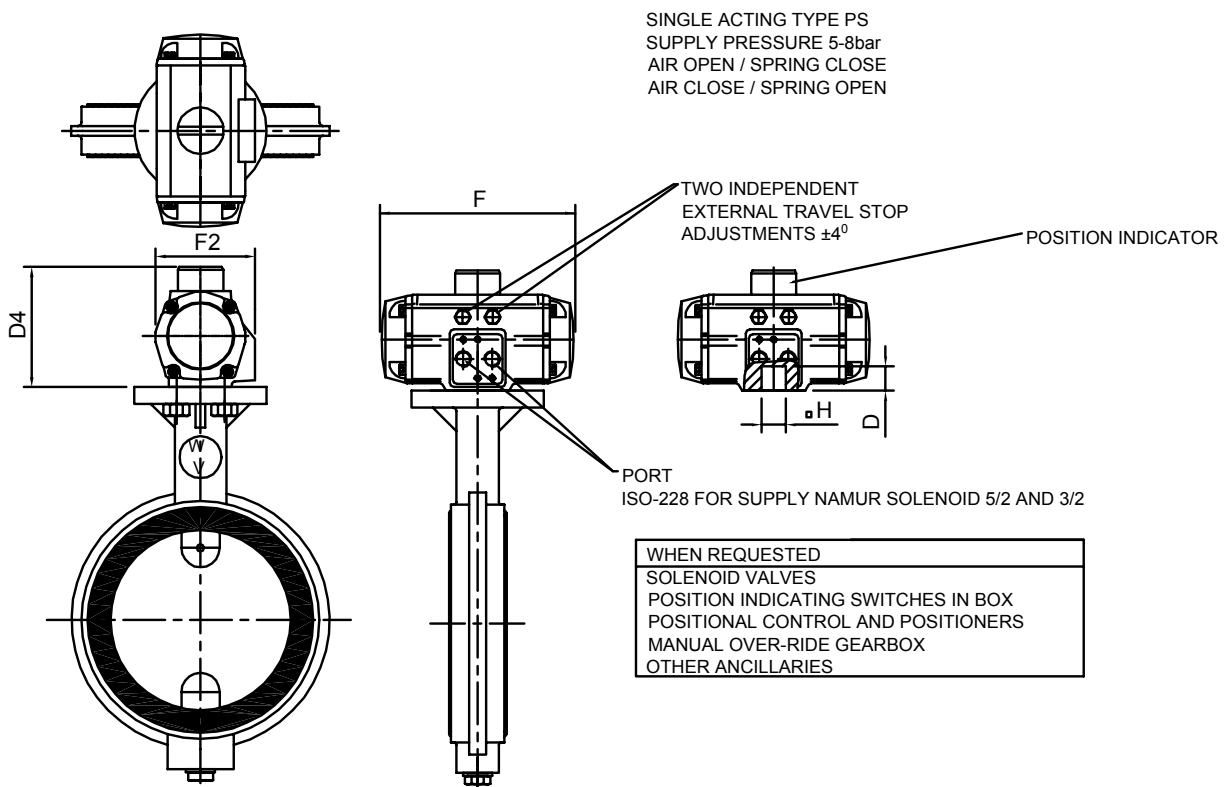
FULL CONFORMANCE TO ISO-5211 DIN3337 AND VDI/VDE-3845



# PS-SERIES

## PNEUMATIC ACTUATORS SINGLE ACTING SPRING RETURN

FULL CONFORMANCE TO ISO-5211 DIN3337 AND VDI/VDE-3845





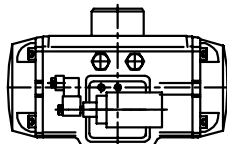
## PA-SERIES PNEUMATIC ACTUATORS DOUBLE ACTING

ACTUATOR TYPE	D4	F	F2	ISO 5211 CONNECTION	PORT ISO-228	H	D	OUTPUT-TORQUE 6-BAR SUPPLY-PRESSURE	Kg
PA-25	105	159	85	F05	1/8"	14	16	35 Nm	2
PA-40	122	212	96	F05/07	1/8"	17	19	69 Nm	3
PA-100	135	250	108	F05/07	1/8"	17	24	110 Nm	4
PA-150	147	270	125	F07/10	1/4"	22	24	160 Nm	6
PA-200	175	318	144	F07/10	1/4"	22	29	258 Nm	9
PA-350	187	348	155	F07/10	1/4"	27	29	332 Nm	11
PA-400	203	410	175	F10/12	1/4"	27	29	522 Nm	15
PA-600	226	440	192	F10/12	1/4"	27	29	681 Nm	20
PA-950	252	490	208	F12	1/4"	27	29	919 Nm	25
PA-1600	298	545	225	F14	1/4"	36	38	1276 Nm	36
PA-2000	352	624	265	F14	3/8"	36	38	2144 Nm	53
PA-2500	385	688	332	F16	1/2"	46	48	3112 Nm	83
PA-4000	460	880	385	F25	1/2"	55	57	5405 Nm	100

## PS-SERIES PNEUMATIC ACTUATORS SINGLE ACTING SPRING RE-

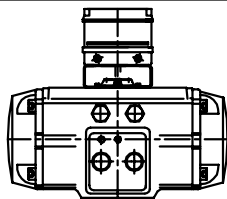
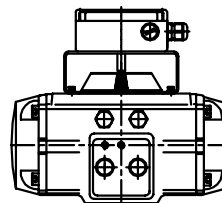
ACTUATOR TYPE	D4	F	F2	ISO 5211 CONNECTION	PORT ISO-228	H	D	OUTPUT-TORQUE 6-BAR SUPPLY-PRESSURE	Kg
PS-25	104	159	85	F05	1/8"	14	16	13 Nm	3
PS-40	122	212	96	F05/07	1/8"	17	19	26 Nm	4
PS-100	135	250	108	F05/07	1/8"	17	19	44 Nm	5
PS-150	147	270	125	F07/10	1/4"	22	24	60 Nm	7
PS-200	175	318	144	F07/10	1/4"	22	24	98 Nm	10
PS-350	187	348	155	F07/10	1/4"	27	29	126 Nm	13
PS-400	203	410	175	F10/12	1/4"	27	29	198 Nm	19
PS-600	226	440	192	F10/12	1/4"	27	29	269 Nm	24
PS-950	252	490	208	F12	1/4"	27	29	379 Nm	32
PS-1600	298	545	225	F14	1/4"	36	38	510 Nm	46
PS-2000	352	624	265	F14	3/8"	36	38	865 Nm	64
PS-2500	385	688	332	F16	1/2"	46	48	1309 Nm	102
PS-4000	460	880	385	F25	1/2"	55	57	2207 Nm	124

### REQUESTED ITEMS



SOLENOID VALVE NAMUR 5/2 AND 3/2  
ISO-5211 DIN-3337  
AND VDI/VDE 3845

LIMITSWITCHES IN BOX  
HONEYWELL, P&F, IFM, TURK, ETC.



POSITIONERS 4-20 mA / 0,2-1bar (3-15 psi)

MANUAL OVER RIDE GEARBOX  
TYPE -MO

