

DESPONIA plus - Butterfly valve DN 25 - 600

Description

Centric butterfly valve with elastomer liner for liquids and gases in the industrial range, general services, water treatment, ...

Product features

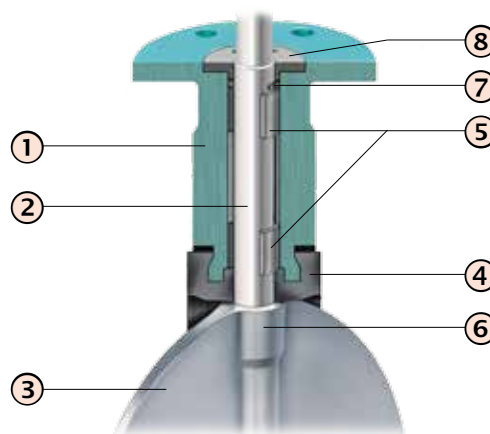
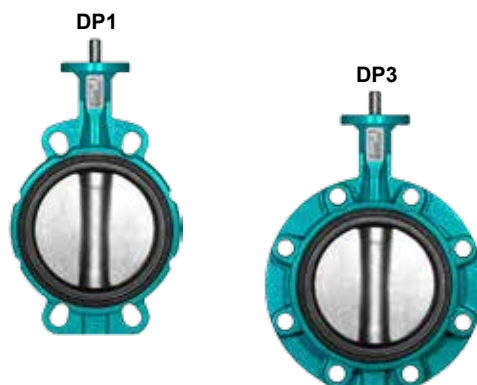
- Body construction DP1 Wafer DN 25-600
DP3 Lug DN 50-400
 - Face to face dimension according to ISO 5752/20, EN 558-1/20
 - Top flange according to EN ISO 5211
 - Max. working pressure 16/20 bar
 - Rating PN6, PN10, PN16, PN25, ANSI cl. 150
 - Temperature range -40°C ÷ 200°C according to material
 - Tightness test according to EN 12266-1/P12 leakage rate A, test fluid water
- The butterfly valves DESPONIA plus meet the safety requirements of the pressure Equipments Directive 97/23/EC (PED) appendix 1 for fluids of the groups 1 and 2. Butterfly valves DESPONIA plus are suitable to be operated in safety related systems according to IEC 61508 / 61511, Safety Integrity Level SIL 2

CE

SIL

Construction

1	Body (extended valve neck allowing insulation)
2	Blow out proof shaft with position indication
3	Disc
4	Exchangeable liner with sealing grooves on the tightening face
5	Self-lubricating shaft bushing
6	Square driven disc
7	External shaft sealing
8	Retaining washer (blow out protection)



Type code

DP1 100 . 3 3 . 2AE . 4A . 2AR . E
 ① ② ③ ④ ⑤ ⑥ ⑦ ⑧

①	②	③	④	⑤	⑥	⑦	⑧
①	Body type	DP1	Wafer				DN25-600
		DP3	Lug				DN50-400
②	Nominal diameter	025-600	mm				
③	Working pressure	→	1 = 6 bar, 2 = 10bar, 3 = 16bar, 4 = 20bar (only with body 3HE or 4C0)				
④	Rating	→	1 = PN6, 2 = PN10, 3 = PN16, A = ANSI cl. 150, 5 = PN25 on request				
⑤	Body	2AE	Ductile iron EN-GJS-400-15, Polyurethan coated 70µ	< 140°C			DP1+DP3, DN25-400
		3HE	Cast steel GP240GH, 1.0619, Polyurethan coated 70µ	< 140°C			DP1 DN50-600, DP3 DN50-300
		4C0	Stainless steel 1.4408, AISI316				DP1 DN50-600, DP3 DN50-300
⑥	Shaft	4A	Stainless steel 1.4021, AISI420				
		4L	Stainless steel 1.4542 / 17-4PH				
⑦	Disc	2AR	Ductile iron EN-GJS-400-15, Rilsan coated 250µ	< 90°C			DN25-400
		2AE	Ductile iron EN-GJS-400-15, Polyurethan coated 70µ	< 120°C			DN25-400
		3HE	Cast steel GP240GH, 1.0619, Polyurethan coated 70µ	< 120°C			DN250-600
		3OD	Carbon steel 1.0552 / GS52.3, Ultralene Coating™ coated < 80°C, pmax. 10 ≤ DN400 / 6 bar > DN400				DN80-300, 800-1400
		4C0	Stainless steel 1.4408, AISI316				DN25-600
		4CP	Stainless steel 1.4408, AISI316, polished				
		4S0	Super austenitic steel 1.4588				DN40-400
⑧	Liner	→	E = EPDM < 95°C	EC = EPDM HT < 130°C			V = FPM (Viton) < 200°C
			N = Nitril (NBR) < 100°C	H = CSM (Hypalon) < 125°C			
			Other materials and white liners on request				

Max. pressure and temperature limits of application are dependent of the working conditions.

When mounting the valve at the end of a line please note:

- Body type	DP3
- Medium	only for liquids, 10+30°C
- Max. working pressure	DN25-200 10 bar
(with 16 bar disc)	DN250-600 6 bar
- no water hammer !!!	

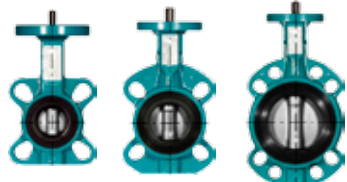
please consult our document "Flanges"

DESPONIA plus - Butterfly valve DN 25 - 600

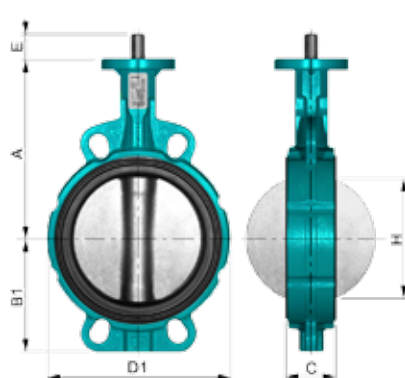
Dimensions

DP1 Wafer, DN 25-600

DN25/32 DN40/50/65 DN80/100



DN125/150/200



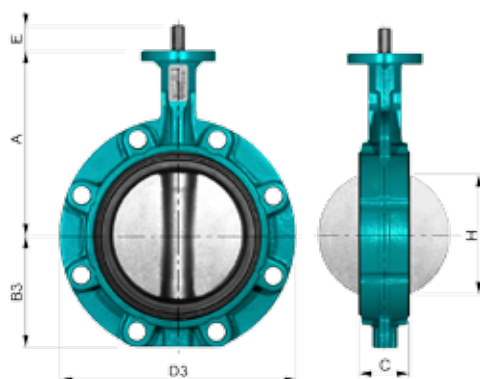
DN	A	B1	C	D1	E	H*	x*	[kg]
25/32	110	51	30	101	19	19	3	1,4
40	130	54	33	108	19	28	6	2,0
50	135	72	43	120	19	32	6	3,0
65	150	82	46	138	19	50	11	3,6
80	160	92	46	142	19	69	19	4,0
100	180	102	52	162	19	88	26	5,5
125	195	120	56	189	19	115	36	7,5
150	210	133	56	214	19	141	48	8,6
200	240	166	60	270	25	194	72	12,7
250	279	201	68	324	32	240	91	22,2
300	315	234	78	378	32	290	112	30,8
350	330	268	80	425	40	330	130	41,5
400	365	299	102	475	40	377	145	57,2
450	397	355	113	538	65	425	164	95,0
500	437	393	126	595	65	474	182	125
600	522	464	153	695	80	569	218	180

DN250-400

DN450-600

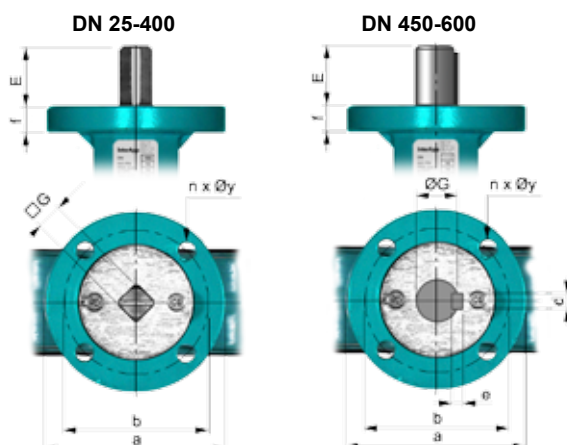


DP3 LUG body, DN 50-400



DN	A	B3	C	D3	E	H*	x*	[kg]
50	135	72	43	116	19	32	6	3,2
65	150	82	46	131	19	50	11	4,0
80	160	88	46	188	19	69	19	6,1
100	180	102	52	219	19	88	26	8,5
125	195	116	56	248	19	115	36	10,0
150	210	128	56	274	19	141	48	11,0
200	240	161	60	332	25	194	72	19,6
250	279	199	68	402	32	240	91	28,7
300	315	234	78	472	32	290	112	41,2
350	330	258	80	520	40	330	130	55,0
400	365	290	102	584	40	377	145	75,0

Top flange according to EN ISO 5211



DN	E	G	d	e	f	ISO	a	b	n x øy
25/32	19	□ 8	-	-	12	F07	90	70	4 x 9
40	19	□ 8	-	-	12	F07	90	70	4 x 9
50	19	□ 11	-	-	12	F07	90	70	4 x 9
65	19	□ 11	-	-	12	F07	90	70	4 x 9
80	19	□ 11	-	-	12	F07	90	70	4 x 9
100	19	□ 11	-	-	12	F07	90	70	4 x 9
125	19	□ 14	-	-	12	F07	90	70	4 x 9
150	19	□ 14	-	-	12	F07	90	70	4 x 9
200	25	□ 17	-	-	12	F07	90	70	4 x 9
250	32	□ 22	-	-	18	F10/F12	155	102/125	4 x 10 / 4 x 13
300	32	□ 22	-	-	18	F10/F12	155	102/125	4 x 10 / 4 x 13
350	40	□ 22	-	-	18	F12	155	125	4 x 13
400	40	□ 27	-	-	18	F12	155	125	4 x 13
450	65	ø 45	14	9	25	F14	175	140	4 x 18
500	65	ø 45	14	9	25	F14	175	140	4 x 18
600	80	ø 70	20	12	25	F16	220	165	4 x 22

Further documentation

Pneumatic actuators, Electric actuators, Accessories according separate data sheets.

Installation guide, Maintenance guide, Flanges: Please consult these guides for the installation and maintenance of our butterfly valves.