

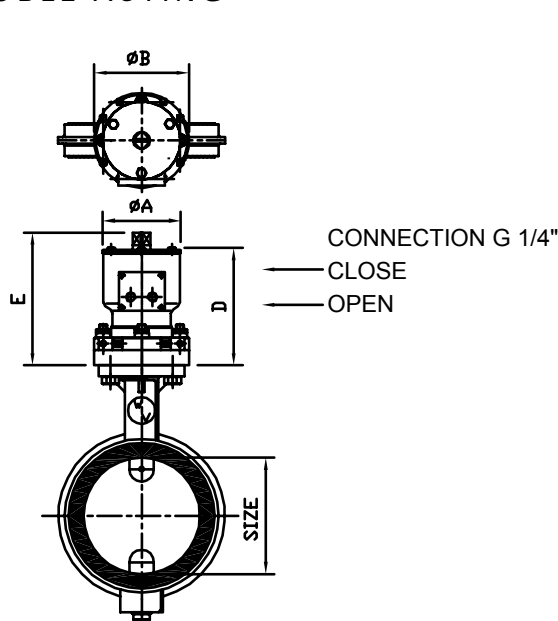
# HYDRAULIC ACTUATORS



**World-Valve**  
MANUFACTURED IN THE NETHERLANDS

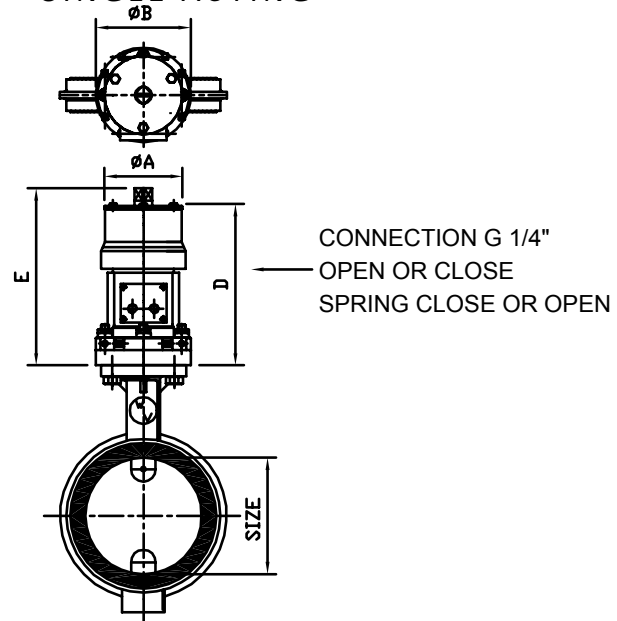
## WV-HA-BRC

DOUBLE ACTING



## WV-HAS-BRCF

SINGLE ACTING



HA-BRC – HAS-BRCF  
CAN BE OPERATED IN ANY KIND OF ENVIRONMENT.THE MOUNTING POSITIONS ARE NUMEROUS,  
AND ALL MODELS ARE PREPARED FOR DIRECT BUILT-ON MODULAR CONTROL FUNCTIONS.

REQUESTED HA-BRC HAS-BRCF  
- LPU LOCAL POWER UNIT  
- VPI VALVE POSITION INDICATOR  
- CONTROL BLOCK SYSTEM

### TECHNICAL DATA HA-BRC

WORKING PRESSURE: 135 bar  
BURST TEST: 675 bar  
TEMPERATURE RANGE: -20°C TO +80°C  
ANGLE OF ROTATION: 90° ± 1°  
TORQUE RANGE: 125 TO 16000Nm AT 135 bar  
VISCOSITY OF HYDRAULIC OIL: 15 TO 200cSt

ACTUATOR TYPE	TORQUE 135 bar Nm	OIL DISPLA- CEMENT AT FULL STROKES LITRES	ØA	ØB	D	E	TOTAL DRY WEIGHT INCL MOUNTING SET Kg
<b>WV-HA-BRC-125</b>	<b>125</b>	0.026	77	96	131	150	<b>6</b>
<b>WV-HA-BRC-250</b>	<b>250</b>	0.050	95	118	154	175	<b>9</b>
<b>WV-HA-BRC-500</b>	<b>500</b>	0.102	120	132	176	199	<b>13</b>
<b>WV-HA-BRC-1000</b>	<b>1000</b>	0.209	135	160	186	229	<b>20</b>
<b>WV-HA-BRC-2000</b>	<b>2000</b>	0.400	165	192	249	271	<b>33</b>
<b>WV-HA-BRC-4000</b>	<b>4000</b>	0.800	215	300	295	319	<b>69</b>
<b>WV-HA-BRC-8000</b>	<b>8000</b>	1.600	252	314	363	380	<b>108</b>
<b>WV-HA-BRC-16000</b>	<b>16000</b>	3.100	300	350	450	470	<b>176</b>

### TECHNICAL DATA HAS-BRCF

WORKING PRESSURE; 135 bar  
BURST TEST: 675 bar  
TEMPERATURE RANGE: -20°C TO +80°C  
ANGLE OF ROTATION: 90° ± 1°  
TORQUE RANGE: 125 TO 4800Nm  
VISCOSITY OF HYDRAULIC OIL: 15 TO 200cSt

ACTUATOR TYPE	BREAKAWAY OPENING TORQUE AT 135 bar Nm	END CLOSING TORQUE Nm	OIL DISPLA- CEMENT AT FULL STROKES LITRES	ØA	ØB	D	E	TOTAL DRY WEIGHT INCL MOUNTING SET Kg
<b>WV-HAS-BRCF-125</b>	<b>88</b>	<b>30</b>	0.026	96	96	219	236	<b>9</b>
<b>WV-HAS-BRCF-250</b>	<b>150</b>	<b>65</b>	0.050	108	118	266	279	<b>14</b>
<b>WV-HAS-BRCF-500</b>	<b>301</b>	<b>140</b>	0.102	135	132	294	329	<b>23</b>
<b>WV-HAS-BRCF-1000</b>	<b>648</b>	<b>320</b>	0.209	160	160	373	388	<b>39</b>
<b>WV-HAS-BRCF-2000</b>	<b>1207</b>	<b>605</b>	0.400	195	192	450	463	<b>67</b>
<b>WV-HAS-BRCF-4000</b>	<b>2700</b>	<b>1350</b>	0.800	253	300	574	590	<b>152</b>
<b>WV-HAS-BRCF-8000</b>	<b>4800</b>	<b>2400</b>	1.600	310	314	740	760	<b>290</b>
<b>WV-HAS-BRCF-16000</b>	<b>9600</b>	<b>4800</b>	3.100	370	350	986	1007	<b>467</b>