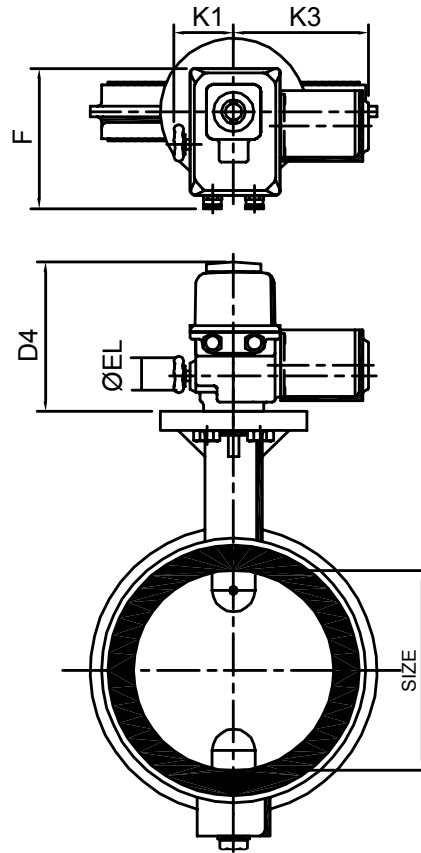


WV-OA SERIES

ELECTRIC ACTUATOR



SELECTION TABLE

ACTUATOR TYPE	WP 6 bar MAX VALVE SIZE	WP 10 bar MAX VALVE SIZE	WP16 bar MAX VALVE SIZE	WP 25 bar MAX VALVE SIZE
WV-OA-3	100	80	65	-
WV-OA-6	150	125	100	50
WV-OA-8	150	150	125	80
WV-OA-P	150	150	125	80
WV-OA-15	175	150	150	125

STANDARD - 1 Phase or 3- Phase AC MOTORS , DUTY RATING: 30%
 - IP67
 - TYPE WV-OA-3 SINGLE PHASE MOTOR ONLY
 - DECLUTCHABLE HANDWHEEL OPERATION

REQUEST - 24VAC/24-VDC
 - EEx ed
 - IP68

ACTUATOR TYPE	TORQUE Nm	TIME/SEC. 0-90	D4	EL	F	K1	K3	MAX SHAFT Ø	Kg
WV-OA-3	35	11	224	90	210	116	148	20	6
WV-OA-6	60	6	224	90	210	116	260	20	6
WV-OA-8	100	6	224	90	210	116	260	20	7
WV-OA-P	100	30-60	224	90	210	116	260	20	7
WV-OA-15	150	15-25	224	90	210	116	260	20	7