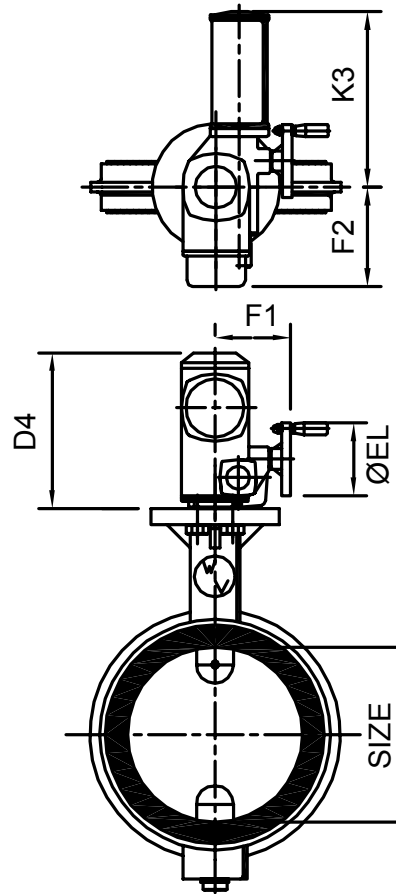


WV-SG SERIES

ELECTRIC ACTUATOR



SELECTION TABLE

TYPE ACTUATOR	WP 6bar	WP 10bar	WP 16bar	WP 25bar
	MAX VALVE SIZE mm	MAX VALVE SIZE mm	MAX VALVE SIZE mm	MAX VALVE SIZE mm
WV-SG-03.3	80	65	50	-
WV-SG-04.3	100	100	100	50
WV-SG-05.1*	175	150	150	125
WV-SG-07.1*	200	200	200	175
WV-SG-10.1*	300	300	250	200
WV-SG-12.1*	400	400	350	250

STANDARD - MECHANICAL POSITION INDICATOR

- 1- Phase OR 3- Phase AC MOTORS
- INCL. AC HEATER
- IP67
- 2 ADJUSTABLE LIMIT SWITCHES
- 2 TORQUE LIMIT SWITCHES (1 FOR EACH DIRECTION OF ROTATION) ON WVSG-**.1 SERIES
- DECLUTCHABLE HANDWHEEL OPERATION

REQUEST - OTHER SPECIFICATIONS, REGULATIONS AND OTHER EXTRA 'S

- AUMA-MATIC
- AUMA-SA/SAR SERIES UP TO 125.000 Nm

OPTIONS - TANDEM SWITCHES

- POSITIONER TRANSMITTER RWG
- IP68

TYPE	TORQUE Nm	TIME [sec.] 0-90 FOR 1-Phase	TIME [sec.] 0-90 FOR 3-Phase	WHEEL-TURNS 0-90	D4	ØEL	F1	F2	K3	MAX SHAFT Ø	Kg
WV-SG-03-3	32	8/11/16/22	8/11/16/22	13.5X	207	100	119	195	215	18	8.3
WV-SG-04-3	64	8/11/16/22/32	8/11/16/22/32	13.5X	207	100	119	195	215	18	8.3
WV-SG-05-1	150	4/5.6/8/11/16/22	5.6-45	58X	275	160	88	195	291	25	20
WV-SG-07-1	300	8/11/16/22/32	11-90	58X	275	160	88	195	291	25	20
WV-SG-10-1	600	16/22/32/45/63	11-90	107X	291	160	90	205	301	36	25
WV-SG-12-1	1200	32/63	22-180	110X	313	160	90	205	301	48	32