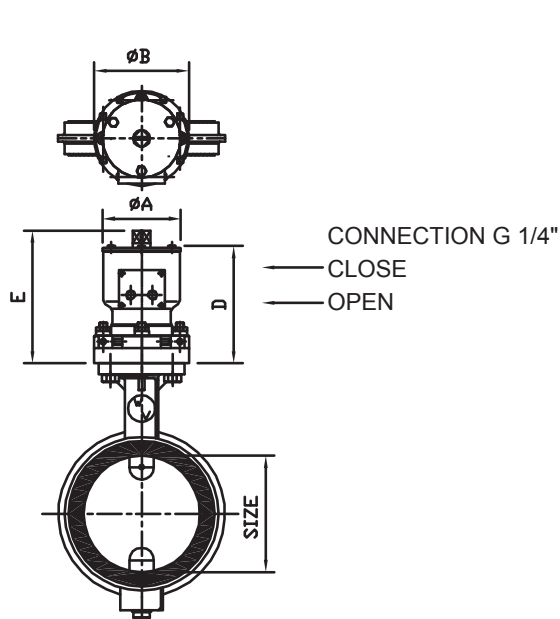


# HYDRAULIC ACTUATORS



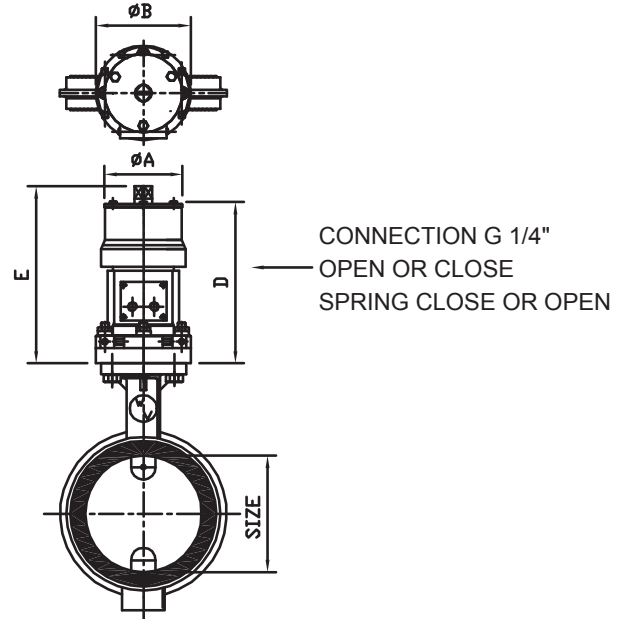
## WV-HA-BRC

DOUBLE ACTING



## WV-HAS-BRCF

SINGLE ACTING



HA-BRC – HAS-BRCF  
CAN BE OPERATED IN ANY KIND OF ENVIRONMENT. THE MOUNTING POSITIONS ARE NUMEROUS,  
AND ALL MODELS ARE PREPARED FOR DIRECT BUILT-ON MODULAR CONTROL FUNCTIONS.

REQUESTED HA-BRC HAS-BRCF  
- LPU LOCAL POWER UNIT  
- VPI VALVE POSITION INDICATOR  
- CONTROL BLOCK SYSTEM

### TECHNICAL DATA HA-BRC

WORKING PRESSURE: 135 bar  
BURST TEST: 675 bar  
TEMPERATURE RANGE: -20°C TO +80°C  
ANGLE OF ROTATION: 90° ± 1°  
TORQUE RANGE: 125 TO 16000 Nm AT 135 bar  
VISCOSITY OF HYDRAULIC OIL: 15 TO 200 cSt

ACTUATOR TYPE	TORQUE 135 bar Nm	OIL DISPLACEMENT AT FULL STROKES LITRES	ØA	ØB	D	E	TOTAL DRY WEIGHT INCL MOUNTING SET Kg
WV-HA-BRC-125	125	0.026	77	96	131	150	6
WV-HA-BRC-250	250	0.050	95	118	154	175	9
WV-HA-BRC-500	500	0.102	120	132	176	199	13
WV-HA-BRC-1000	1000	0.209	135	160	186	229	20
WV-HA-BRC-2000	2000	0.400	165	192	249	271	33
WV-HA-BRC-4000	4000	0.800	215	300	295	319	69
WV-HA-BRC-8000	8000	1.600	252	314	363	380	108
WV-HA-BRC-16000	16000	3.100	300	350	450	470	176

### TECHNICAL DATA HAS-BRCF

WORKING PRESSURE: 135 bar  
BURST TEST: 675 bar  
TEMPERATURE RANGE: -20°C TO +80°C  
ANGLE OF ROTATION: 90° ± 1°  
TORQUE RANGE: 125 TO 4800 Nm  
VISCOSITY OF HYDRAULIC OIL: 15 TO 200 cSt

ACTUATOR TYPE	BREAKAWAY OPENING TORQUE AT 135 bar Nm	END CLOSING TORQUE Nm	OIL DISPLACEMENT AT FULL STROKES LITRES	ØA	ØB	D	E	TOTAL DRY WEIGHT INCL MOUNTING SET Kg
WV-HAS-BRCF-125	88	30	0.026	96	96	219	236	9
WV-HAS-BRCF-250	150	65	0.050	108	118	266	279	14
WV-HAS-BRCF-500	301	140	0.102	135	132	294	329	23
WV-HAS-BRCF-1000	648	320	0.209	160	160	373	388	39
WV-HAS-BRCF-2000	1207	605	0.400	195	192	450	463	67
WV-HAS-BRCF-4000	2700	1350	0.800	253	300	574	590	152
WV-HAS-BRCF-8000	4800	2400	1.600	310	314	740	760	290
WV-HAS-BRCF-16000	9600	4800	3.100	370	350	986	1007	467