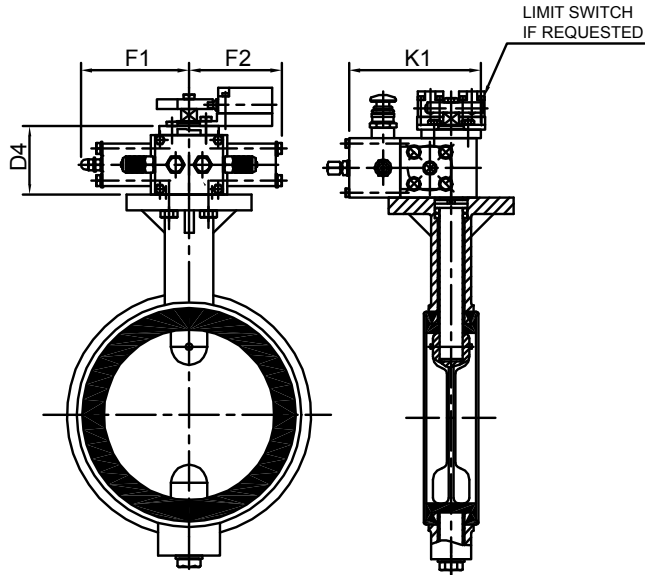


## WV-HA

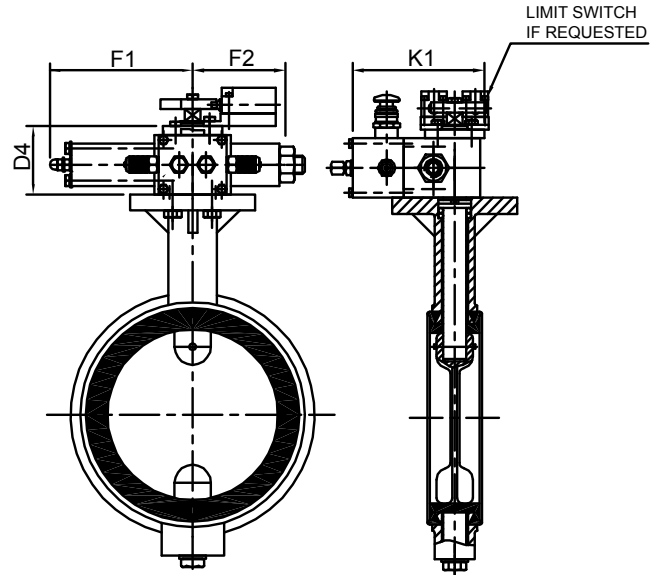
HYDRAULIC ACTUATOR  
DOUBLE ACTING



SUPPLY PRESSURE  
90bar-105bar-135bar  
MAX. 135bar

## WV-HAS

HYDRAULIC ACTUATOR  
SINGLE ACTING



SUPPLY PRESSURE  
90bar-105bar-135bar  
MAX. 135bar

OPTIONAL: -Handpump Hose  
-Limit switches  
-Submerged

### DOUBLE ACTING WV-HA

ACTUATOR TYPE	D4	F1	F2	ISO 5211 CONNECTION	MAX SHAFT	SUPPLY PRESSURE / OUTPUT NM OPEN/CLOSE				KG
						90 BAR OUTPUT NM	105 BAR OUTPUT NM	135 BAR OUTPUT NM	150 BAR OUTPUT NM	
WVHA-02	89	176	113	F-05/07	□ 16 Ø19	250	<b>290</b>	370	420	<b>10</b>
WVHA-04	104	197	156	F-10	□ 24 Ø30	400	<b>470</b>	600	670	<b>20</b>
WVHA-08	110	213	176	F-12	□ 24 Ø40	910	<b>1070</b>	1370	1530	<b>30</b>
WVHA-10	130	270	185	F-12	Ø40	1430	<b>1660</b>	2140	2380	<b>38</b>
WVHA-12	130	270	213	F-14	Ø45	2900	<b>3400</b>	4350	4800	<b>42</b>
WVHA-14	140	350	305	F-16	Ø60	4120	<b>4800</b>	6200	6850	<b>66</b>
WVHA-16	140	365	330	F-25	Ø70	6750	<b>7850</b>	10000	11200	<b>79</b>
WVHA-18	185	390	390	F-25	Ø70	10600	<b>12200</b>	15700	17400	<b>116</b>

### SINGLE ACTING WV-HAS

ACTUATOR TYPE	D4	F1	F2	ISO 5211 CONNECTION	MAX SHAFT	SUPPLY PRESSURE / OUTPUT NM			KG
						105 BAR OUTPUT NM OPEN	135 BAR OUTPUT NM OPEN	SPRING CLOSE OUTPUT NM	
WVHAS-22	89	215	140	F07	□ 16 Ø19	<b>150</b>	190	<b>100</b>	<b>11</b>
WVHAS-24	104	205	174	F-07	□ 16 Ø22	<b>245</b>	280	<b>170</b>	<b>20</b>
WVHAS-26	115	206	356	F-10	□ 24 Ø30	<b>600</b>	690	<b>420</b>	<b>32</b>
WVHAS-30	130	275	544	F-12	□ 24 Ø40	<b>1800</b>	2145	<b>1100</b>	<b>72</b>
WVHAS-32	136	329	633	F-14	Ø45	<b>3400</b>	3865	<b>2050</b>	<b>92</b>
WVHAS-34	136	635	635	F-14	Ø50	<b>7000</b>	7730	<b>4050</b>	<b>116</b>