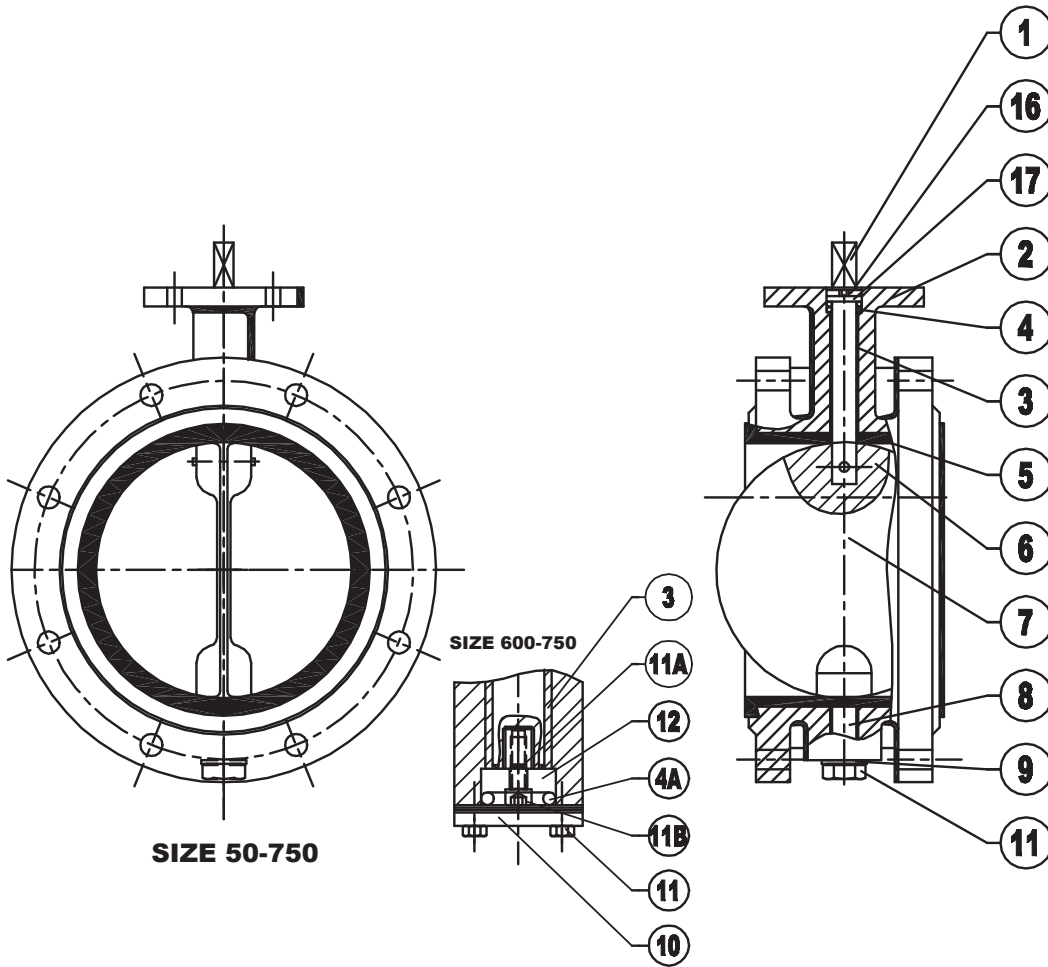


WVFL-F16

DOUBLE FLANGED TYPE



World-Valve
MANUFACTURED IN THE NETHERLANDS



1	AS	SHAFT	SPINDEL	HUSILLO
2	AFSLUITERHUIS	BODY	GEHÄUSE	CAJA
3	LAGERBUS	BEARING	LAGERBUCHSE	COJINETTE
4	O-RING	O-RING	O-RING	ANILLO-O
4A	O-RING	O-RING	O-RING	ANILLO-O
5	VOERING	LINER	FUTTER	MANQUITO
6	PEN	PIN	STIFT	CLAVIJA
7	KLEP	DISC	KLAPPENSCHIEBE	VALVULA
8	AS	SHAFT	SPINDEL	HUSILLO
9	PAKKING	PACKING	PACKUNG	EMPAQUETADURA
10	ACHTERPLAAT	COVER PLATE	LAGERDECKEL	TAPA
11	BOUT	BOLT	SCHRAUBE	PERNO
11A	BOUT	BOLT	SCHRAUBE	PERNO
11B	BOUT	BOLT	SCHRAUBE	PERNO
12	DRUKLAGER	THRUST BEARING	DRUCKLAGER	COJINETTE
16	BORGRING	LOCK WASHER	SICHERUNGSRING	ANILLO DE SOJECION
17	RING	RING	RING	ILAVE

FLANGE CONNECTION
DIN-PN 6/10/16
ANSI-CLASS 125/150
JIS-5/10K
JIS-16K
WHEN REQUESTED

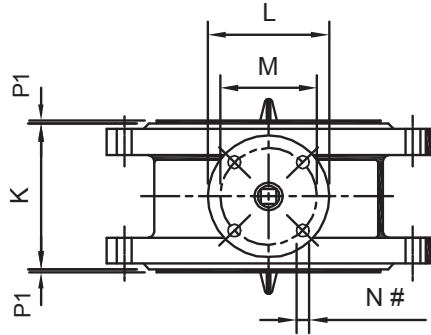
FIGURE: MATERIAL COMBINATION				ONLY SIZE 250-700
TYPE	B	C	D	X
BODY	STANDARD DUCTILE IRON GGG-40			
DISC	AL.BRONZE	AISI-316	AL.BRONZE	GGG-40
SHAFT	AISI-316	AISI-316	AL.BRONZE	AISI-304
PINS	STANDARD DUPLEX			
LINER	STANDARD BUNA-N OR EPDM			

WHEN REQUESTED					
BODY	B-AL.BRONZE	A-AISI-304 C-AISI-316	S-RST- 37/2 G-GSC-25	K-SILUMIN	
DISC	J-DUPLEX	H-HASTELLOY			
SHAFT AND PINS	M-MONEL K-500	H-HASTELLOY	J-DUPLEX		
LINER	V-VITON	H-HYPALON	S-SILICONE	N-NITRIL FOOD	U-VULKOLAN
TOPFLANGE ACC. ISO-5211					

FACE TO FACE DIMENSIONS ACCORDING INTERNATIONAL STANDARDS

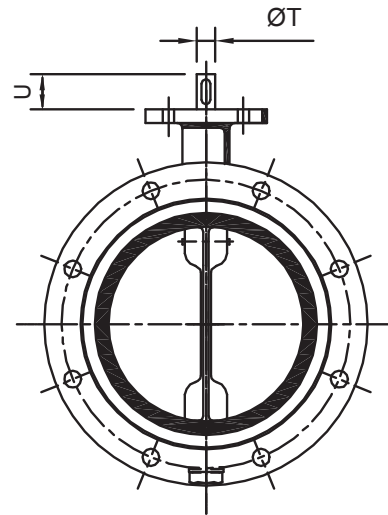
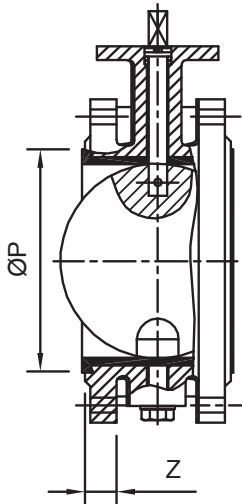
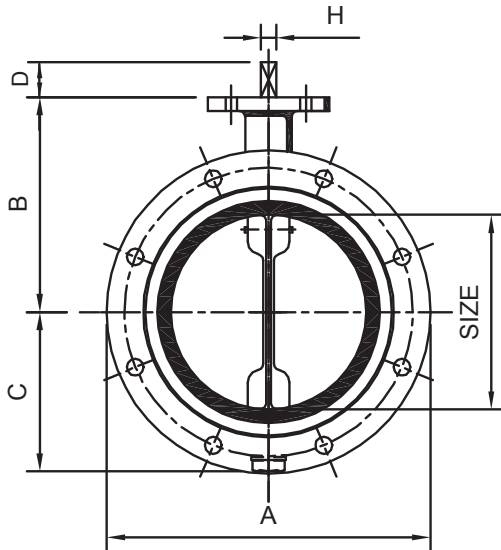
WVFL-F16

DOUBLE FLANGED TYPE



STANDARD
SIZE 50-300
SQUARE SHAFT

STANDARD
SIZE 350-750
ROUND SHAFT
SIZE 250-750
2x KEYWAY 180°



DIMENSIONS

SIZE mm	SIZE inch	A	B	C	D	H	K	L	M	N (#)	P	P1	T	U	Z	Kg
50	2	165	128	70	37	12	108	90	66	9 (4)	88	1.5	16	40	20	9
65	2.5	185	136	80	37	12	112	90	66	9 (4)	108	1.5	16	40	20	11
80	3	200	144	88	37	12	114	90	66	9 (4)	120	1.5	16	40	23	14
100	4	220	154	98	37	12	127	90	66	9 (4)	140	1.5	16	40	23	16
125	5	250	184	114	37	16	140	130	80	11 (4)	170	2	20	40	26	24
150	6	285	194	124	37	16	140	130	80	11 (4)	198	2	20	40	26	27
200	8	340	229	180	37	16	152	130	80	11 (4)	250	2	22	40	31	38
250	10	405	261	190	37	24	165	175	135	14 (4)	308	3	30	50	31	60
300	12	460	286	220	37	24	178	175	135	14 (4)	358	3	30	50	31	70
350	14	520	322	260	-	-	190	175	135	14 (4)	418	3	35	50	31	90
400	16	580	352	280	-	-	216	175	135	14 (4)	468	3	40	60	33	115
450	18	640	380	325	-	-	222	175	135	14 (4)	518	3	45	60	35	130
500	20	715	420	340	-	-	229	175	135	14 (4)	568	3	45	60	35	180
600	24	840	468	425	-	-	267	210	165	22 (4)	668	3	60	70	35	260
700	28	910	533	464	-	-	292	300	254	18 (8)	778	3	70	85	35	295
750	30	984	575	495	-	-	305	300	254	18 (8)	835	3	70	85	39	480

M = TOPFLANGE SIZE 600-750 ACC. ISO-5211
K = FACE TO FACE ACC. DIN-3202 F16 (ISO SERIES 13) (BS-SHORT)

(#) = NUMBER OF HOLES

PRESSURE TABLE

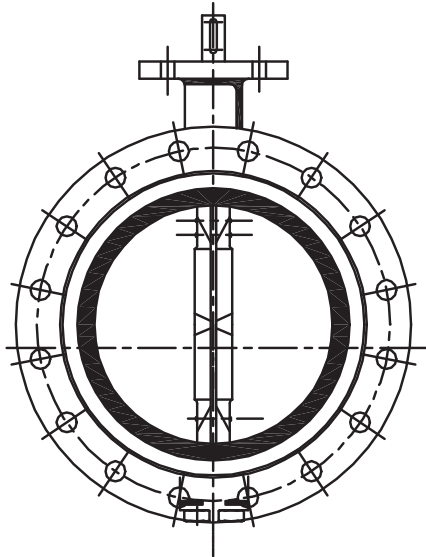
STANDARD DELIVERY			WHEN REQUESTED			ONE PIECE SHAFT
STANDARD WORKING/TESTPRESSURE			MAXIMUM WORKING/TESTPRESSURE			
SIZE mm	WP ΔP-BAR	TP ΔP-BAR	SIZE mm	WP ΔP-BAR	TP ΔP-BAR	
50-150	10	11	50-150	16	18	-
200-750	6	7	200-300	10	11	-
			350-750	10	11	YES
			200-500	16	18	YES

BODY TEST 1.5 X PN

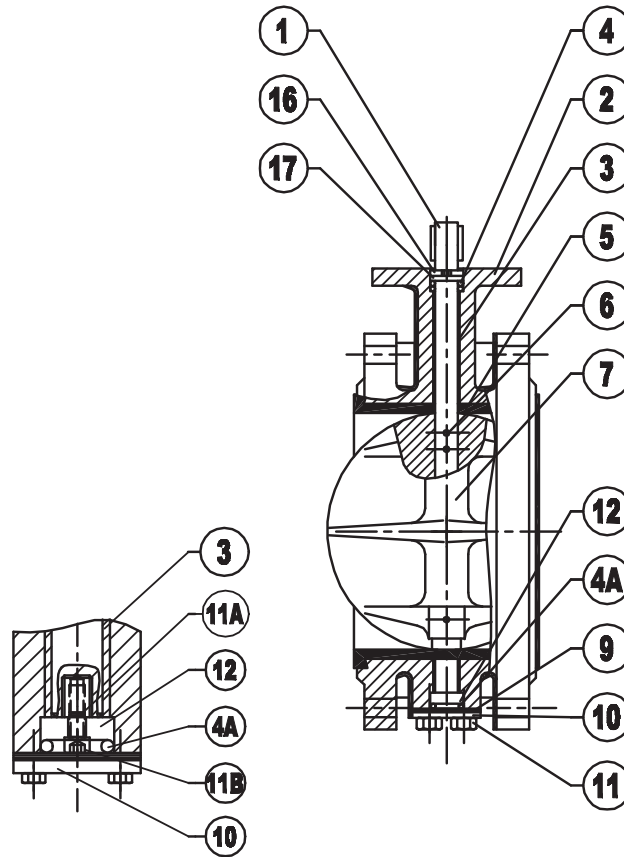
FACE TO FACE DIMENSIONS ACCORDING INTERNATIONAL STANDARDS

WVFL-F16

DOUBLE FLANGED TYPE



SIZE 800-2000



1	AS	SHAFT	SPINDEL	HUSILLO
2	AFSLUITERHUIS	BODY	GEHÄUSE	CAJA
3	LAGERBUS	BEARING	LAGERBUCHSE	COJINETTE
4	O-RING	O-RING	O-RING	ANILLO-O
4A	O-RING	O-RING	O-RING	ANILLO-O
5	VOERING	LINER	FUTTER	MANQUITO
6	PEN	PIN	STIFT	CLAVIJA
7	KLEP	DISC	KLAPPENSCHIEBE	VALVULA
8	AS	SHAFT	SPINDEL	HUSILLO
9	PAKKING	PACKING	PACKUNG	EMPAQUETADURA
10	ACHTERPLAAT	COVER PLATE	LAGERDECKEL	TAPA
11	BOUT	BOLT	SCHRAUBE	PERNO
11A	BOUT	BOLT	SCHRAUBE	PERNO
11B	BOUT	BOLT	SCHRAUBE	PERNO
12	DRUKLAGER	THRUST BEARING	DRUCKLAGER	COJINETTE
16	BORGRING	LOCK WASHER	SICHERUNGSRING	ANILLO DE SOJECION
17	RING	RING	RING	ILAVE

FLANGE CONNECTION
DIN-PN 6/10/16
ANSI-CLASS 125/150
JIS-5/10K

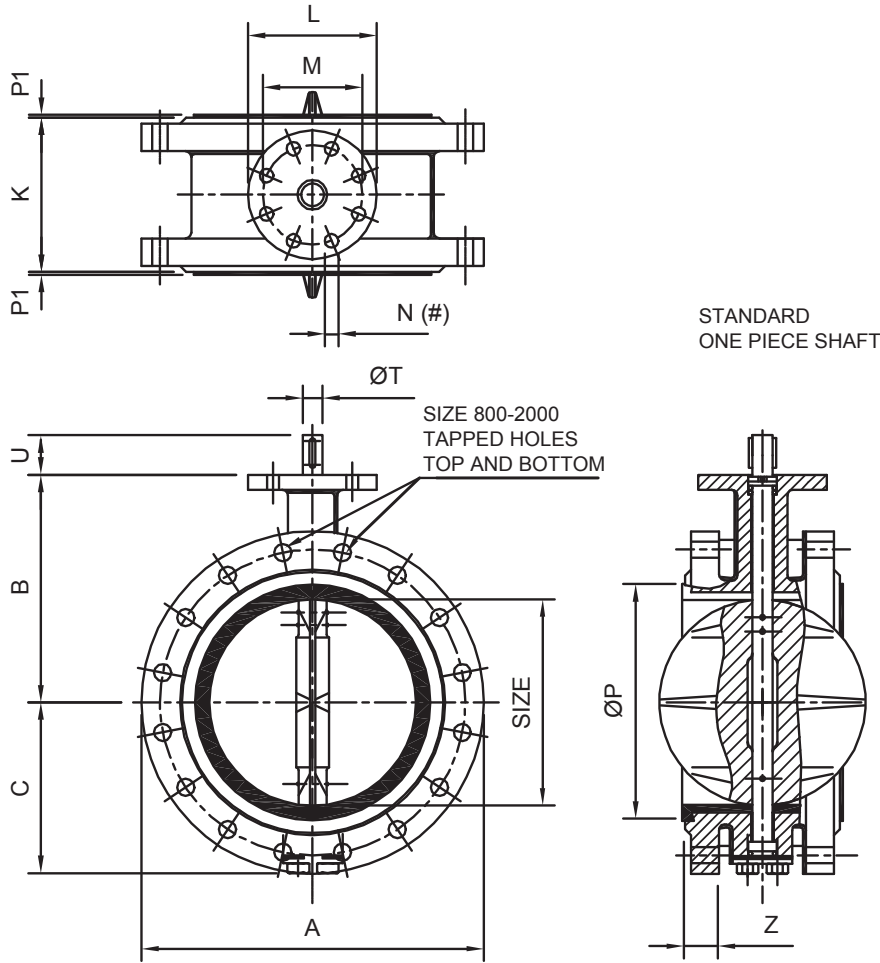
FIGURE: MATERIAL COMBINATION				
TYPE	B	C	D	X
BODY	STANDARD DUCTILE IRON GGG-40			
DISC	AL.BRONZE	AISI-316	AL.BRONZE	GGG-40
SHAFT	AISI-316	AISI-316	AL.BRONZE	AISI-304
PINS	STANDARD DUPLEX			
LINER	STANDARD BUNA-N OR EPDM			

WHEN REQUESTED					
BODY	B-AL.BRONZE	A-AISI-304 C-AISI-316	S-RST- 37/2 G-GSC-25	K-SILUMIN	
DISC	J-DUPLEX	H-HASTELLOY			
SHAFT AND PINS	M-MONEL K-500	H-HASTELLOY	J-DUPLEX		
LINER	V-VITON	H-HYPALON	S-SILICONE	N-NITRIL FOOD	U-VULKOLAN

FACE TO FACE DIMENSIONS ACCORDING INTERNATIONAL STANDARDS

WVFL-F16

DOUBLE FLANGED TYPE



DIMENSIONS

SIZE mm	SIZE inch	A	B	C	K	L	ISO 5211 M	N (#)	P	P1	T	U	Z	Kg
800	32	1010	642	539	318	350	298	22 (8)	885	3	80	85	40	680
900	36	1120	670	580	330	350	298	22 (8)	985	3	90	100	40	880
1000	40	1230	746	646	410	350	298	22 (8)	1090	3	90	100	40	980
1200	48	1485	841	737	470	415	356	32 (8)	1310	3	110	105	47	1090
1400	56	1685	975	905	530	415	356	32 (8)	1490	3	110	150	47	1380
1600	64	1930	1160	1000	600	475	406	38 (8)	1690	3	120	150	50	1800
1800	72	2130	1200	1100	670	475	406	38 (8)	1900	3	120	150	60	2050
2000	80	2345	1310	1200	760	475	406	38 (8)	2105	3	140	180	60	2300

K = FACE TO FACE ACC. DIN-3202 F16 (ISO SERIES 13) (BS-SHORT)
 (#) = NUMBER OF HOLES

PRESSURE TABLE

STANDARD DELIVERY				WHEN REQUESTED			
STANDARD WORKING/TESTPRESSURE				MAXIMUM WORKING/TESTPRESSURE			
SIZE mm	WP ΔP-BAR	TP ΔP-BAR	ONE PIECE SHAFT	SIZE mm	WP ΔP-BAR	TP ΔP-BAR	ONE PIECE SHAFT
800-1400	6	7	YES	800-1400	10	11	YES
1500-2000	4	5	YES				

BODY TEST 1.5 X PN

FACE TO FACE DIMENSIONS ACCORDING INTERNATIONAL STANDARDS