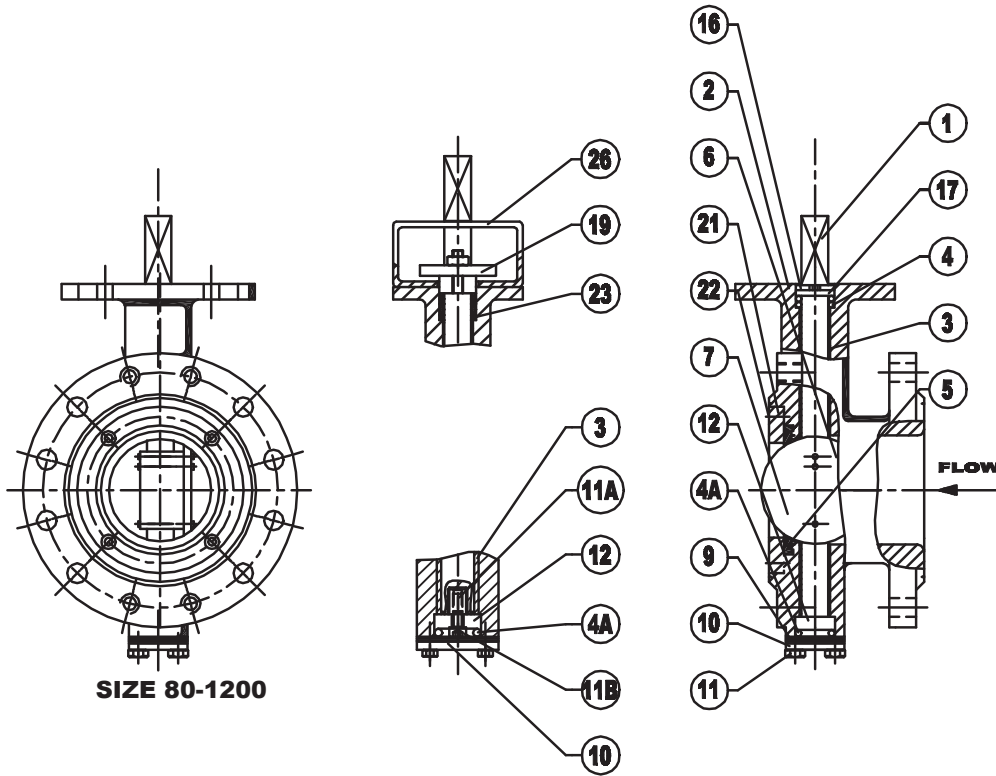


# WVFL-ISOLEX

DOUBLE FLANGED TYPE - DOUBLE ECCENTRIC - RENEWABLE SEAT



SIZE 80-1200

1	AS	SHAFT	SPINDEL	HUSILLO
2	AFSLUITERHUIS	BODY	GEHÄUSE	CAJA
3	LAGERBUS	BEARING	LAGERBUCHSE	COJINETTE
4	O-RING	O-RING	O-RING	ANILLO-O
4A	O-RING	O-RING	O-RING	ANILLO-O
5	AFDICHTING	SEAT	DICHTUNG	MANQUITO
6	PEN	PIN	STIFT	CLAVIJA
7	KLEP	DISC	KLAPPENSCHIEBE	VALVULA
8	AS	SHAFT	SPINDEL	HUSILLO
9	PAKKING	PACKING	PACKUNG	EMPAQUETADURA
10	ACHERPLAAT	COVER PLATE	LAGERDECKEL	TAPA
11	BOUT	BOLT	SCHRAUBE	PERNO
11A	BOUT	BOLT	SCHRAUBE	PERNO
11B	BOUT	BOLT	SCHRAUBE	PERNO
12	DRUKLAGER	THRUST BEARING	DRUCKLAGER	COJINETTE
16	BORGRING	LOCK WASHER	SICHERUNGSRING	ANILLO DE SOJECION
17	RING	RING	RING	ILAVE
19	PAKKINGDRUKKER	GLAND	STOPFBUCHSENBRILLE	CASQUILLO PRESAETOP
21	KLEMRING	CLAMPING RING	KLEMMRING	ANILLO DE RETENIDA
22	BOUT	BOLT	SCHRAUBE	PERNO
23	PAKKING	PACKING	PACKUNG	EMPAQUETADURA
26	BRUGSTUK	BRACKET	ZWISCHENSTÜCK	PIEZA INTERMEDIA

FLANGE CONNECTION
DIN-PN 6/10/16
ANSI-CLASS 125/150
JIS-5/10
JIS-16K
WHEN REQUESTED

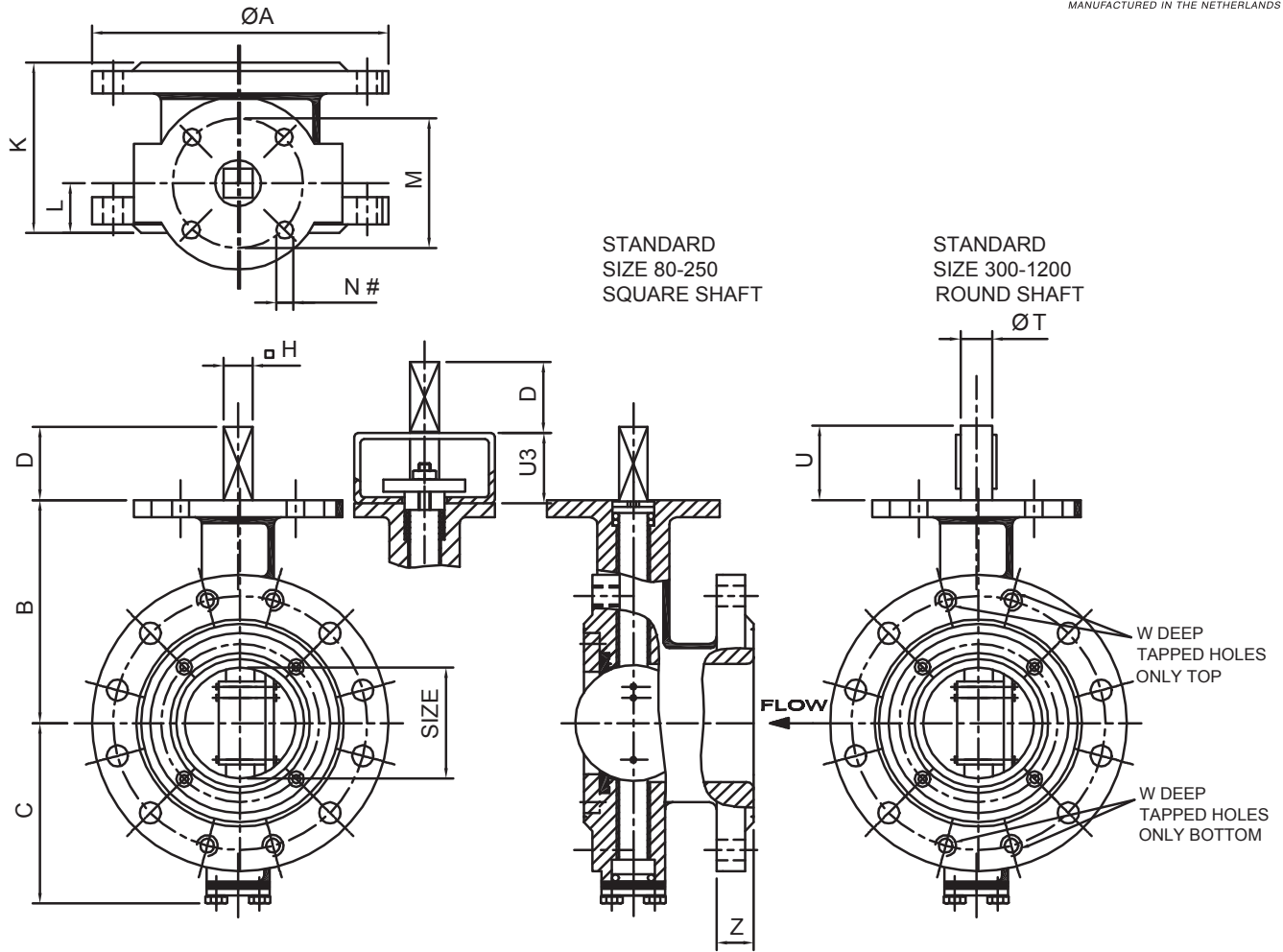
FIGURE: MATERIAL COMBINATION					ONLY SIZE 300-1200		
TYPE	B	C	D	X			
BODY	STANDARD DUCTILE IRON GGG-40						
DISC	AL.BRONZE	AISI-316	AL.BRONZE	GGG-40			
SHAFT	AISI-316	AISI-316	AL.BRONZE	AISI-304			
SHAFT SEAL	STANDARD BUNA-N OR VITON						
PINS	STANDARD DUPLEX						
SEAT	STANDARD BUNA-N OR EPDM						

WHEN REQUESTED					
BODY	B-AL.BRONZE	A-AISI-304 C-AISI-316	S-RST-37/2 G-GS-C25	K-SILUMIN	
DISC	J-DUPLEX	H-HASTELLOY			
SHAFT PACKING	R-GRFOIL	T-PTFE			
SHAFT AND PINS	M-MONEL K-500	H-HASTELLOY	J-DUPLEX		
SEAT	V-VITON S-SILICONE	FIRESAFE/DESIGN F-PTFE/INCONEL	METAL-SEAT I-INCONEL	K-PTFE+AISI-316	T-PTFE MAX SIZE 900
TOPFLANGE ACC. ISO-5211					

FACE TO FACE DIMENSIONS ACCORDING INTERNATIONAL STANDARDS

# WVFL-ISOLEX

DOUBLE FLANGED TYPE - DOUBLE ECCENTRIC - RENEWABLE SEAT



## DIMENSIONS

SIZE mm	SIZE inch	A	B	C	D	H	K	L	M	N (#)	T	U	U3	Z	W	Kg
80	3	200	155	75	37	16	114	32	80	11 (4)	20	40	100	22	20	16
100	4	220	164	91	37	16	127	32	80	11 (4)	20	40	100	22	20	18
125	5	250	196	107	37	16	140	35	80	11 (4)	20	40	100	26	22	24
150	6	285	206	120	37	16	140	38	80	11 (4)	25	50	100	26	22	26
200	8	340	241	152	37	16	152	44	80	11 (4)	25	50	100	30	24	36
250	10	405	285	240	37	24	165	57	135	14 (4)	30	50	100	30	26	68
300	12	460	305	260	-	-	178	57	135	14 (4)	40	60	100	30	26	76
350	14	520	345	290	-	-	190	63	135	14 (4)	40	60	100	33	28	96
400	16	580	380	325	-	-	216	70	165	22 (4)	50	60	100	35	30	110
450	18	640	400	345	-	-	222	76	165	22 (4)	50	60	100	36	30	135
500	20	715	455	380	-	-	229	76	165	22 (4)	55	70	100	36	32	200
600	24	840	525	445	-	-	267	86	254	18 (8)	70	85	200	40	38	270
700	28	910	576	490	-	-	292	94	298	22 (8)	80	85	200	40	38	345
800	32	1025	655	530	-	-	318	94	298	22 (8)	80	85	200	42	38	710
900	36	1125	705	570	-	-	330	99	298	22 (8)	100	105	200	42	38	910
1000	40	1255	780	640	-	-	410	99	298	22 (8)	100	105	200	45	40	1000
1200	48	1485	890	760	-	-	470	112	356	32 (8)	110	105	200	50	40	1180

WHEN REQUESTED: BI-DIRECTIONAL SHUT OFF  
M = TOPFLANGE SIZE 400-1200 ACC. ISO-5211  
STANDARD: TAPPED HOLES  
K = FACE TO FACE ACC. DIN-3202 F16 (ISO SERIES 13) (BS-SHORT)  
(#) = NUMBER OF HOLES

**STANDARD WORK/TESTPRESSURE (LOOK AT OUR TYPE: WVTB-NOVA)**

FACE TO FACE DIMENSIONS ACCORDING **INTERNATIONAL STANDARDS**