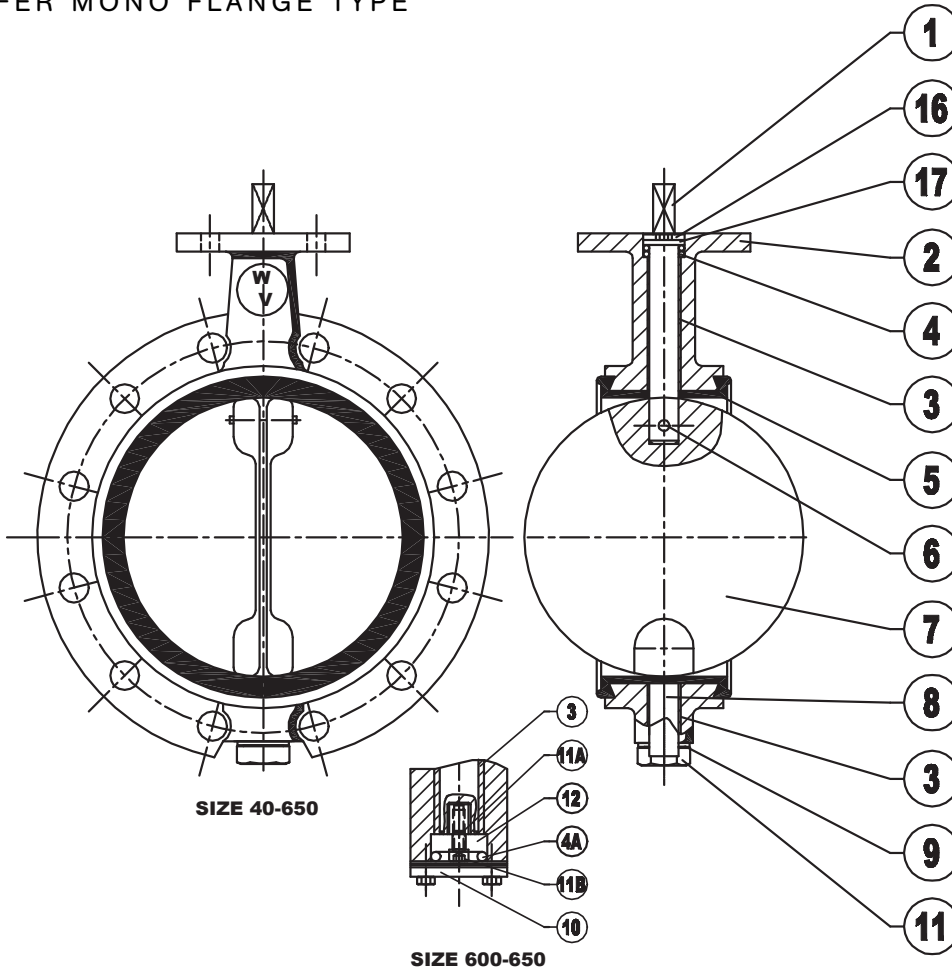


WVM-70-4

WAFER MONO FLANGE TYPE



1	AS	SHAFT	SPINDEL	HUSILLO
2	AFSLUITERHUIS	BODY	GEHÄUSE	CAJA
3	LAGERBUS	BEARING	LAGERBUCHSE	COJINETTE
4	O-RING	O-RING	O-RING	ANILLO-O
4A	O-RING	O-RING	O-RING	ANILLO-O
5	VOERING	LINER	FUTTER	MANQUITO
6	PEN	PIN	STIFT	CLAVIJA
7	KLEP	DISC	KLAPPENSCHIEBE	VALVULA
8	AS	SHAFT	SPINDEL	HUSILLO
9	PAKING	PACKING	PACKUNG	EMPAQUETADURA
10	ACHTERPLAAT	COVER PLATE	LAGERDECKEL	TAPA
11A	BOUT	BOLT	SCHRAUBE	PERNO
11B	BOUT	BOLT	SCHRAUBE	PERNO
11	BOUT	BOLT	SCHRAUBE	PERNO
12	DRUKLAGER	THRUST BEARING	DRUCKLAGER	COJINETTE
16	BORGRING	LOCK WASHER	SICHERUNGSRING	ANILLO DE SOJECION
17	RING	RING	RING	ILAVE

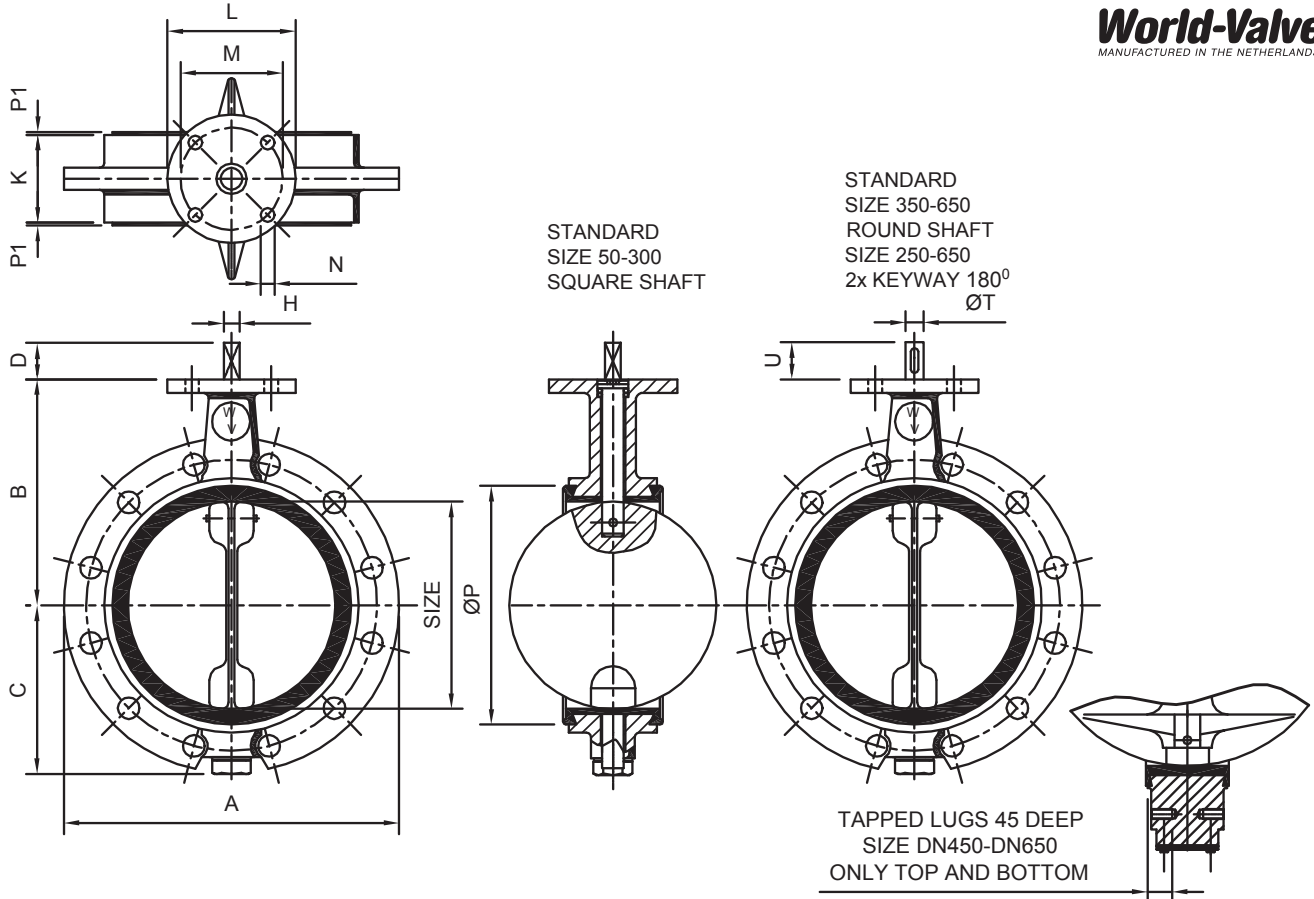
FLANGE CONNECTION
DIN-PN 6/10/16
ANSI-CLASS 125/150
JIS-5/10K
JIS-16K
WHEN REQUESTED

FIGURE: MATERIAL COMBINATION				ONLY SIZE 250-650
TYPE	B	C	D	X
BODY	STANDARD DUCTILE IRON GGG-40			
DISC	AL.BRONZE	AISI-316	AL.BRONZE	GGG-40
SHAFT	AISI-316	AISI-316	AL.BRONZE	AISI-304
PINS	STANDARD DUPLEX			
LINER	STANDARD BUNA-N OR EPDM			

WHEN REQUESTED					
BODY	B-AL.BRONZE	A-AISI-304 C-AISI-316	S-RST- 37/2 G-GSC-25	K-SILUMIN	
DISC	J-DUPLEX	H-HASTELLOY			
SHAFT AND PINS	M-MONEL K-500	H-HASTELLOY	J-DUPLEX		
LINER	V-VITON	H-HYPALON	S-SILICONE	N-NITRIL FOOD	U-VULKOLAN
TOPFLANGE ACC. ISO-5211					

WVM-70-4

WAFER MONO FLANGE TYPE



DIMENSIONS

SIZE mm	SIZE inch	A	B	C	D	H	K	L	M	N	P	P1	T	U	Kg
40	1.5	150	122	64	37	12	33	90	66	9	67	1.5	16	40	4
50	2	165	128	70	37	12	43	90	66	9	85	1.5	16	40	4
65	2.5	185	136	80	37	12	46	90	66	9	100	1.5	16	40	4
80	3	200	144	88	37	12	64	90	66	9	115	1.5	16	40	6
100	4	220	154	98	37	12	64	90	66	9	135	1.5	16	40	7
125	5	250	184	114	37	16	70	110	80	11	165	2	20	40	8
150	6	285	194	124	37	16	76	110	80	11	190	2	20	40	10
175	7	315	206	145	37	16	76	110	80	11	215	2	20	40	12
200	8	340	229	180	37	16	89	130	80	11	240	2	22	40	21
250	10	395	261	190	37	24	114	175	135	14	295	3	30	50	34
300	12	445	286	220	37	24	114	175	135	14	345	3	30	50	41
350	14	505	322	260	-	-	127	175	135	14	400	3	35	50	50
400	16	595	352	280	-	-	140	175	135	14	440	3	40	60	58
450	18	615	380	325	-	-	152	175	135	14	490	3	45	60	110
500	20	690	420	340	-	-	152	175	135	14	550	3	45	60	130
550	22	770	465	410	-	-	154*	210	165	22	610	3	60	70	150
650	26	870	520	460	-	-	165*	210	165	22	720	3	60	70	220

M = TOPFLANGE SIZE 550-650 ACC. ISO-5211

K = FACE TO FACE ACC. DIN-3202 K3 (ISO SERIES 16)

(BS-LONG)

* SIZE 550-650 WV-STANDARD

PRESSURE TABLE

STANDARD DELIVERY			WHEN REQUESTED			
STANDARD WORKING/TESTPRESSURE			MAXIMUM WORKING/TESTPRESSURE			
SIZE mm	WP ΔP-BAR	TP ΔP-BAR	SIZE mm	WP ΔP-BAR	TP ΔP-BAR	ONE PIECE SHAFT
40-150	10	11	40-150	16	18	-
175-650	6	7	175-300	10	11	-
			350-650	10	11	YES
			200-650	16	18	YES

BODY TEST 1.5 X PN

FACE TO FACE DIMENSIONS ACCORDING INTERNATIONAL STANDARDS