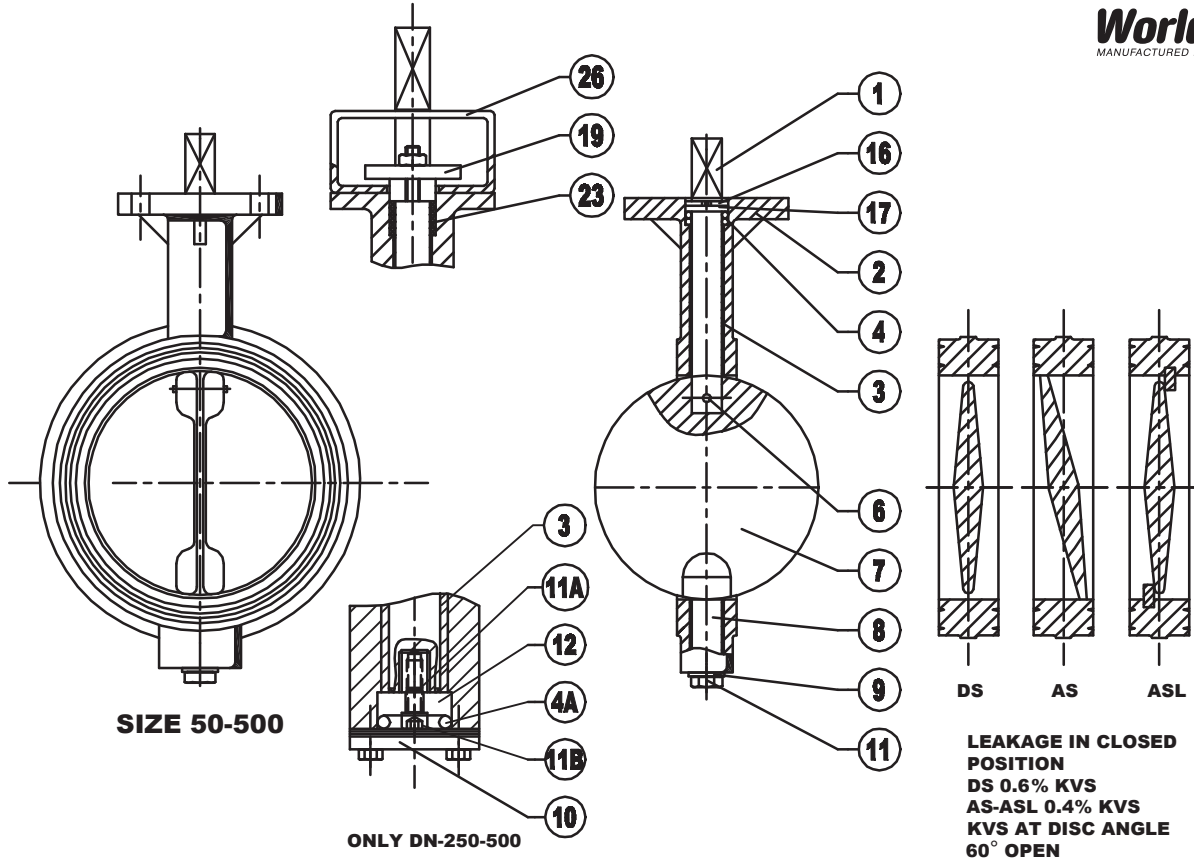


# WVSK-70-3

REGULATION TYPE



**LEAKAGE IN CLOSED POSITION**  
**DS 0.6% KVS**  
**AS-ASL 0.4% KVS**  
**KVS AT DISC ANGLE 60° OPEN**

1	AS	SHAFT	SPINDEL	HUSILLO
2	AFSLUITERHUIS	BODY	GEHÄUSE	CAJA
3	LAGERBUS	BEARING	LAGERBUCHSE	COJINETTE
4	O-RING	O-RING	O-RING	ANILLO-O
4A	O-RING	O-RING	O-RING	ANILLO-O
6	PEN	PIN	STIFT	CLAVIJA
7	KLEP	DISC	KLAPPENSCHIEBE	VALVULA
8	AS	SHAFT	SPINDEL	HUSILLO
9	PAKKING	PACKING	PACKUNG	EMPAQUETADURA
10	ACHTERPLAAT	COVER PLATE	LAGERDECKEL	TAPA
11	BOUT	BOLT	SCHRAUBE	PERNO
11A	BOUT	BOLT	SCHRAUBE	PERNO
11B	BOUT	BOLT	SCHRAUBE	PERNO
12	DRUKLAGER	THRUST BEARING	DRUCKLAGER	COJINETTE
16	BORGRING	LOCK WASHER	SICHERUNGSRING	ANILLO DE SOJECION
17	RING	RING	RING	ILAVE
19	PAKKINGDRUKKER	GLAND	STOPFBUCHSENBRILLE	CASQUILLO PRESAETOP
23	PAKKING	PACKING	PACKUNG	EMPAQUETADURA
26	BRUGSTUK	BRACKET	ZWISCHENSTÜCK	PIEZA INTERMEDIA

<b>FLANGE CONNECTION</b>
DIN-PN 6/10/16
ANSI-CLASS 125/150
JIS-5/10K
JIS-16K
WHEN REQUESTED

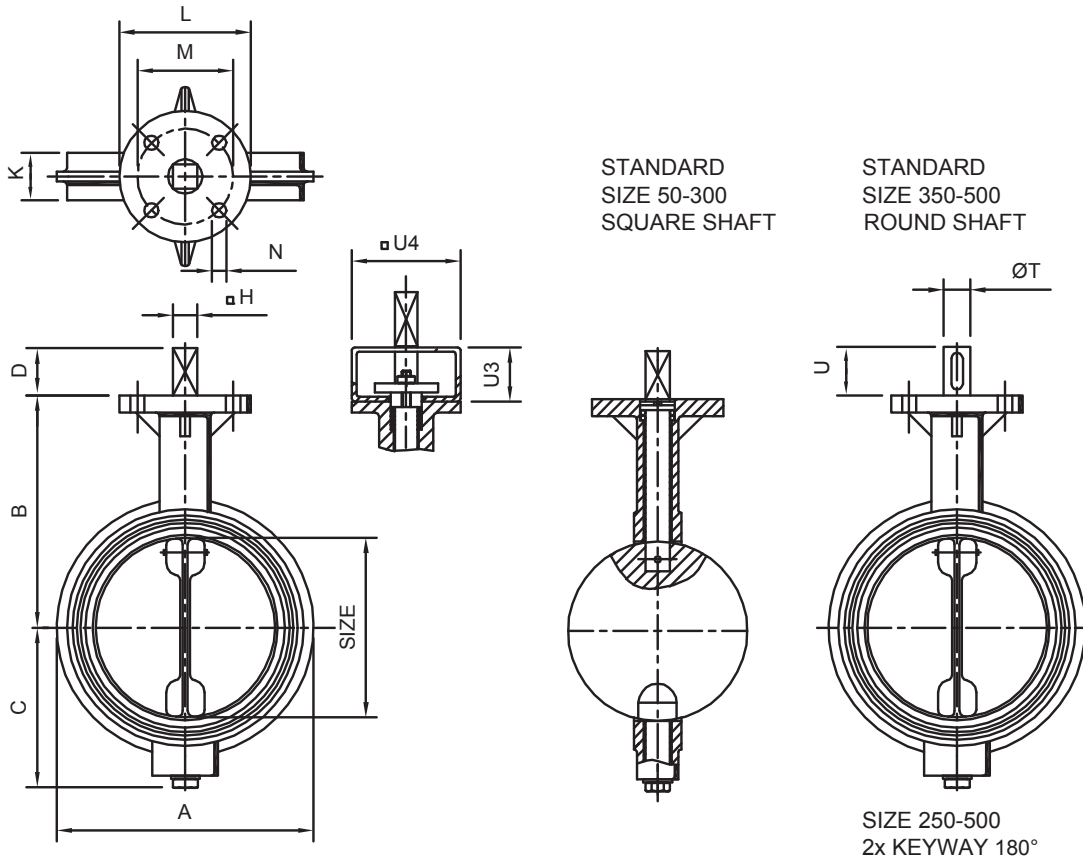
<b>FIGURE: MATERIAL COMBINATION</b>	<b>ONLY SIZE 250-500</b>			
TYPE	B	C	D	X
BODY	STANDARD DUCTILE IRON GGG-40			
DISC	AL.BRONZE	AISI-316	AL.BRONZE	GGG-40
SHAFT	AISI-316	AISI-316	AL.BRONZE	AISI-304
PINS	STANDARD DUPLEX			

<b>WHEN REQUESTED</b>				
BODY	B-AL.BRONZE	A-AISI-304	S-RST-37/2	K-SILUMIN
BODY/DISC	SPECIAL MATERIALS UP TO + 1000 °C			
DISC	J-DUPLEX	H-HASTELLOY		
SHAFT PACKING	R-GRAFOIL	T-PTFE		
SHAFT AND PINS	M-MONEL K-500	H-HASTELLOY	J-DUPLEX	
TOPFLANGE ACC. ISO-5211				

FACE TO FACE DIMENSIONS ACCORDING **WORLD-VALVE STANDARD**

# WVSK-70-3

REGULATION TYPE



## DIMENSIONS

SIZE mm	SIZE inch	A	B	C	D	H	K	L	M	N	T	U	U3	U4	Kg
50	2	105	128	70	37	12	35	90	66	9	16	40	100	100	3
65	2.5	125	136	80	37	12	35	90	66	9	16	40	100	100	3
80	3	140	144	88	37	12	35	90	66	9	16	40	100	100	4
100	4	160	154	98	37	12	35	90	66	9	16	40	100	100	4
125	5	190	184	114	37	16	40	110	80	11	20	40	100	150	5
150	6	215	194	124	37	16	40	110	80	11	20	40	100	150	6
200	8	270	229	180	37	16	50	130	80	11	22	40	100	150	12
250	10	326	261	190	37	24	65	175	135	14	30	50	100	150	21
300	12	375	286	220	37	24	65	175	135	14	30	50	100	150	27
350	14	435	322	260	-	-	65	175	135	14	35	50	100	200	37
400	16	485	352	280	-	-	75	175	135	14	40	60	100	200	45
450	18	535	380	325	-	-	75	175	135	14	45	60	100	200	70
500	20	590	420	340	-	-	75	175	135	14	45	60	100	200	90

K = FACE TO FACE ACC. WORLD-VALVE STANDARD

## PRESSURE TABLE

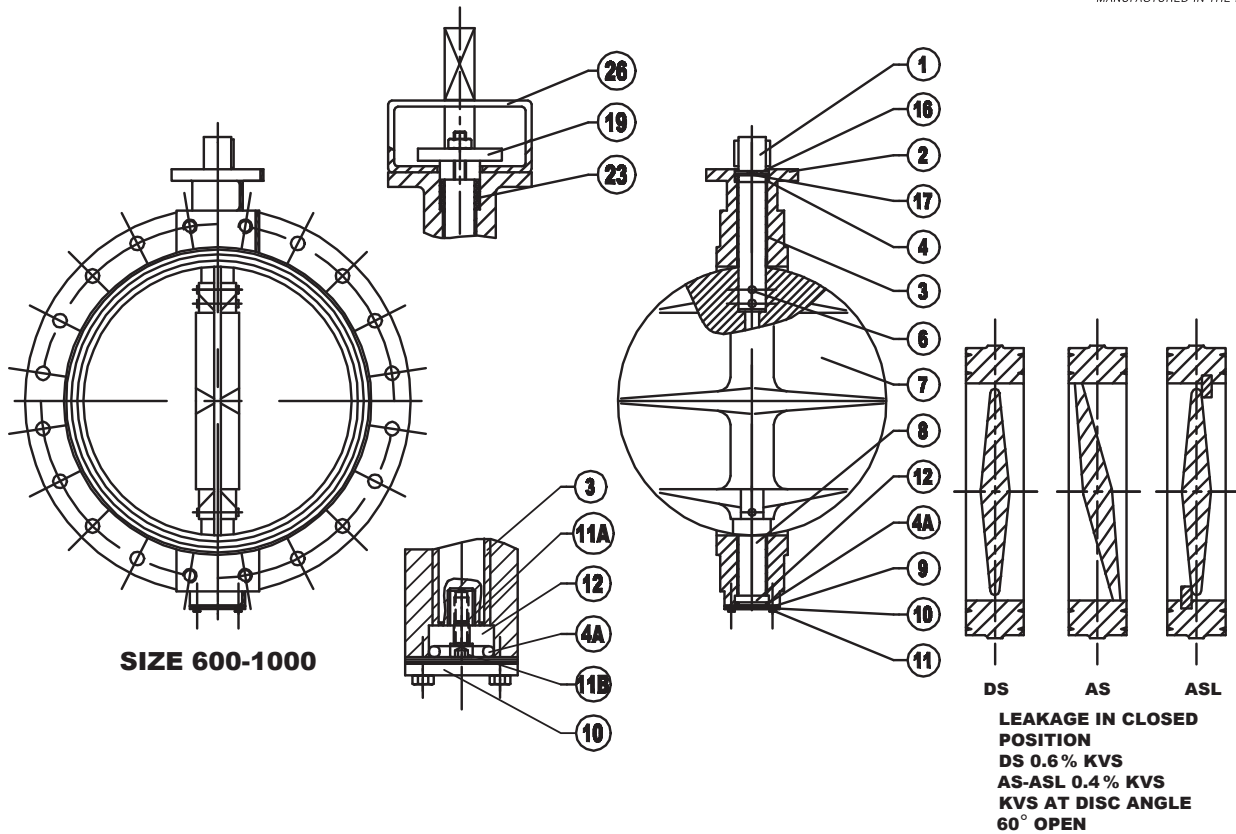
STANDARD DELIVERY
SIZE mm
50-500

BODY TEST 1.5 X PN

FACE TO FACE DIMENSIONS ACCORDING WORLD-VALVE STANDARD

# WVSK-70-3

REGULATION TYPE WITH MONOFLANGE



**LEAKAGE IN CLOSED POSITION**  
**DS 0.6% KVS**  
**AS-ASL 0.4% KVS**  
**KVS AT DISC ANGLE 60° OPEN**

1	AS	SHAFT	SPINDEL	HUSILLO
2	AFSLUITERHUIS	BODY	GEHÄUSE	CAJA
3	LAGERBUS	BEARING	LAGERBUCHSE	COJINETTE
4	O-RING	O-RING	O-RING	ANILLO-O
4A	O-RING	O-RING	O-RING	ANILLO-O
6	PEN	PIN	STIFT	CLAVIJA
7	KLEP	DISC	KLAPPENSCHIEBE	VALVULA
8	AS	SHAFT	SPINDEL	HUSILLO
9	PAKKING	PACKING	PACKUNG	EMPAQUETADURA
10	ACHTERPLAAT	COVER PLATE	LAGERDECKEL	TAPA
11	BOUT	BOLT	SCHRAUBE	PERNO
11A	BOUT	BOLT	SCHRAUBE	PERNO
11B	BOUT	BOLT	SCHRAUBE	PERNO
12	DRUKLAGER	THRUST BEARING	DRUCKLAGER	COJINETTE
16	BORGRING	LOCK WASHER	SICHERUNGSRING	ANILLO DE SOJECION
17	RING	RING	RING	ILAVE
19	PAKKINGDRUKKER	GLAND	STOPFBUCHSENBRILLE	CASQUILLO PRESAETOPA
23	PAKKING	PACKING	PACKUNG	EMPAQUETADURA
26	BRUGSTUK	BRACKET	ZWISCHENSTÜCK	PIEZA INTERMEDIA

<b>FLANGE CONNECTION</b>
DIN-PN 6/10
ANSI-CLASS 125/150
JIS-510K

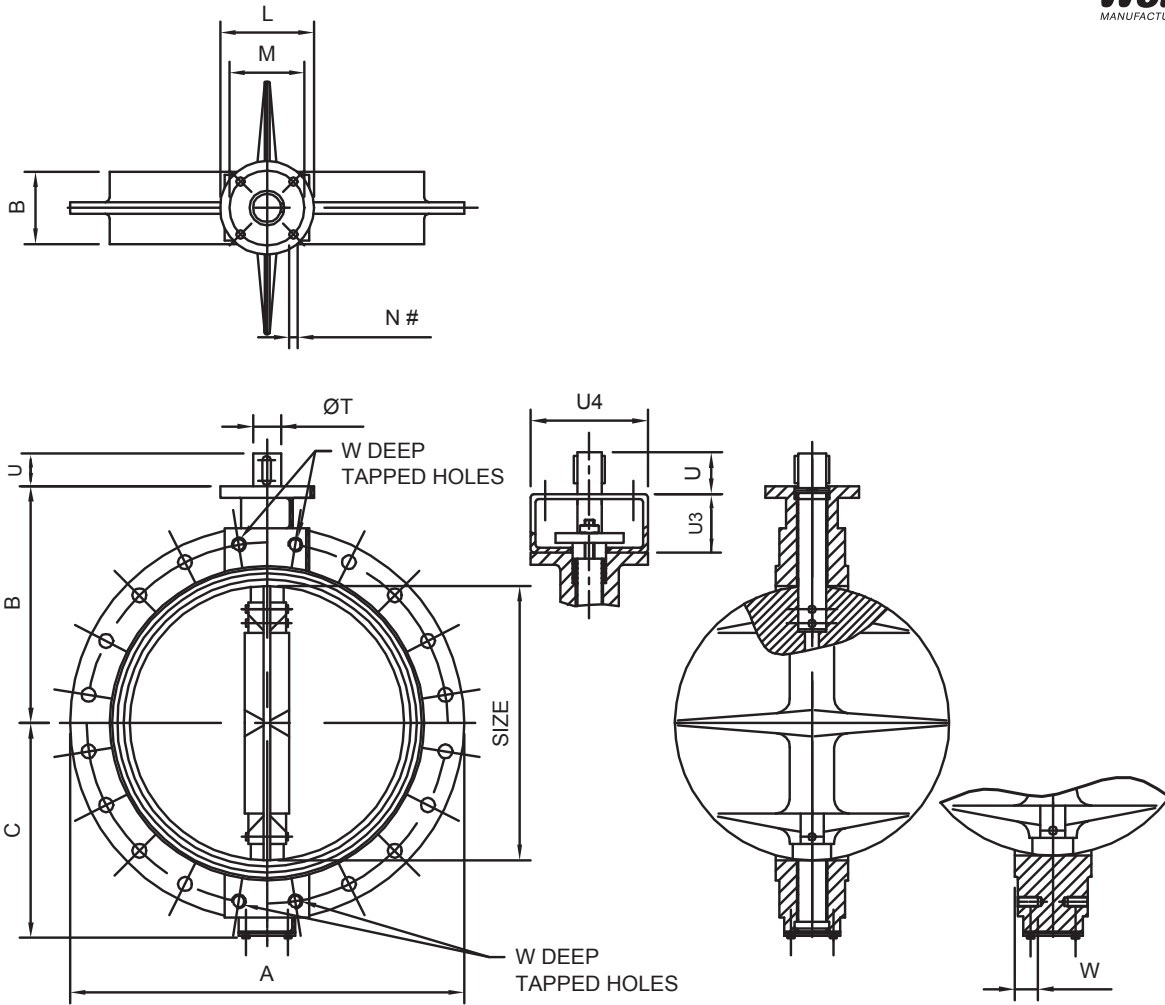
<b>FIGURE: MATERIAL COMBINATION</b>				
TYPE	B	C	D	X
BODY	STANDARD DUCTILE IRON GGG-40			
DISC	AL.BRONZE	AISI-316	AL.BRONZE	GGG-40
SHAFT	AISI-316	AISI-316	AL.BRONZE	AISI-304
PINS	STANDARD DUPLEX			

<b>WHEN REQUESTED</b>				
BODY	B-AL.BRONZE	A-AISI-304 C-AISI-316	S-RST-37/2 G-GS-C25	K-SILUMIN
BODY/DISC	SPECIAL MATERIALS UP TO + 1000 °C			
DISC	J-DUPLEX	H-HASTELLOY		
SHAFT PACKING	R-GRAFOIL	T-PTFE		
SHAFT AND PINS	M-MONEL K-500	H-HASTELLOY	J-DUPLEX	

FACE TO FACE DIMENSIONS ACCORDING **WORLD-VALVE STANDARD**

# WVSK-70-3

REGULATION TYPE WITH MONOFLANGE



## DIMENSIONS

SIZE mm	SIZE inch	A	B	C	K	L	ISO 5211 M	N (#)	T	U	U3	U4	W	Kg
600	24	825	468	425	145	210	165	22 (4)	60	70	200	300	45	218
700	28	900	533	464	145	210	165	22 (4)	70	85	200	300	45	262
750	30	984	575	495	145	300	254	18 (8)	70	85	200	300	40	315
800	32	1010	642	539	145	300	254	18 (8)	80	85	200	300	40	330
900	36	1120	670	580	216	300	254	18 (8)	90	100	200	300	45	430
1000	40	1230	746	646	216	300	254	18 (8)	90	100	200	300	50	520

K = FACE TO FACE ACC. WORLD-VALVE STANDARD

## PRESSURE TABLE

STANDARD DELIVERY
SIZE mm
600-1000

BODY TEST 1.5 X PN

FACE TO FACE DIMENSIONS ACCORDING WORLD-VALVE STANDARD