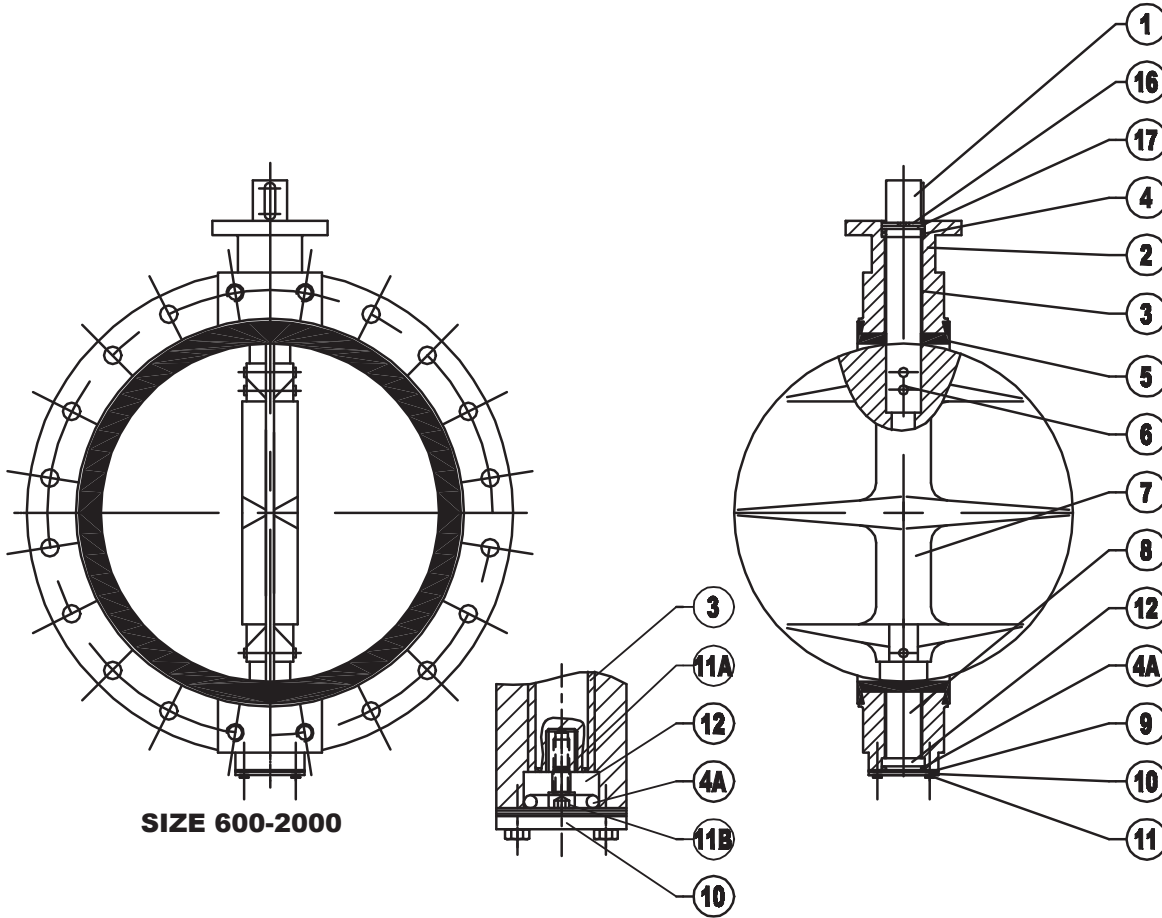


WVTB-70-1-M

WAFER TYPE WITH MONO FLANGE



World-Valve
MANUFACTURED IN THE NETHERLANDS



SIZE 600-2000

1	AS	SHAFT	SPINDEL	HUSILLO
2	AFSLUITERHUIS	BODY	GEHÄUSE	CAJA
3	LAGERBUS	BEARING	LAGERBUCHSE	COJINETTE
4	O-RING	O-RING	O-RING	ANILLO-O
4A	O-RING	O-RING	O-RING	ANILLO-O
5	AFDICHTING	SEAT	DICHTUNG	MANQUITO
6	PEN	PIN	STIFT	CLAVIJA
7	KLEP	DISC	KLAPPENSCHIEBE	VALVULA
8	AS	SHAFT	SPINDEL	HUSILLO
9	PAKKING	PACKING	PACKUNG	EMPAQUETADURA
10	ACHTERPLAAT	COVER PLATE	LAGERDECKEL	TAPA
11	BOUT	BOLT	SCHRAUBE	PERNO
11A	BOUT	BOLT	SCHRAUBE	PERNO
11B	BOUT	BOLT	SCHRAUBE	PERNO
12	DRUKLAGER	THRUST BEARING	DRUCKLAGER	COJINETTE
16	BORGRING	LOCK WASHER	SICHERUNGSRING	ANILLO DE SOJECION
17	RING	RING	RING	ILAVE

FLANGE CONNECTION

DIN-PN6/10/16
ANSI-CLASS-125/150
JIS-5/10K

FIGURE: MATERIAL COMBINATION

TYPE	B	C	D	X
BODY	STANDARD DUCTILE IRON GGG-40			
DISC	AL.BRONZE	AISI-316	AL.BRONZE	GGG-40
SHAFT	AISI-316	AISI-316	AL.BRONZE	AISI-304
PINS	STANDARD DUPLEX			
LINER	STANDARD BUNA-N OR EPDM			

WHEN REQUESTED

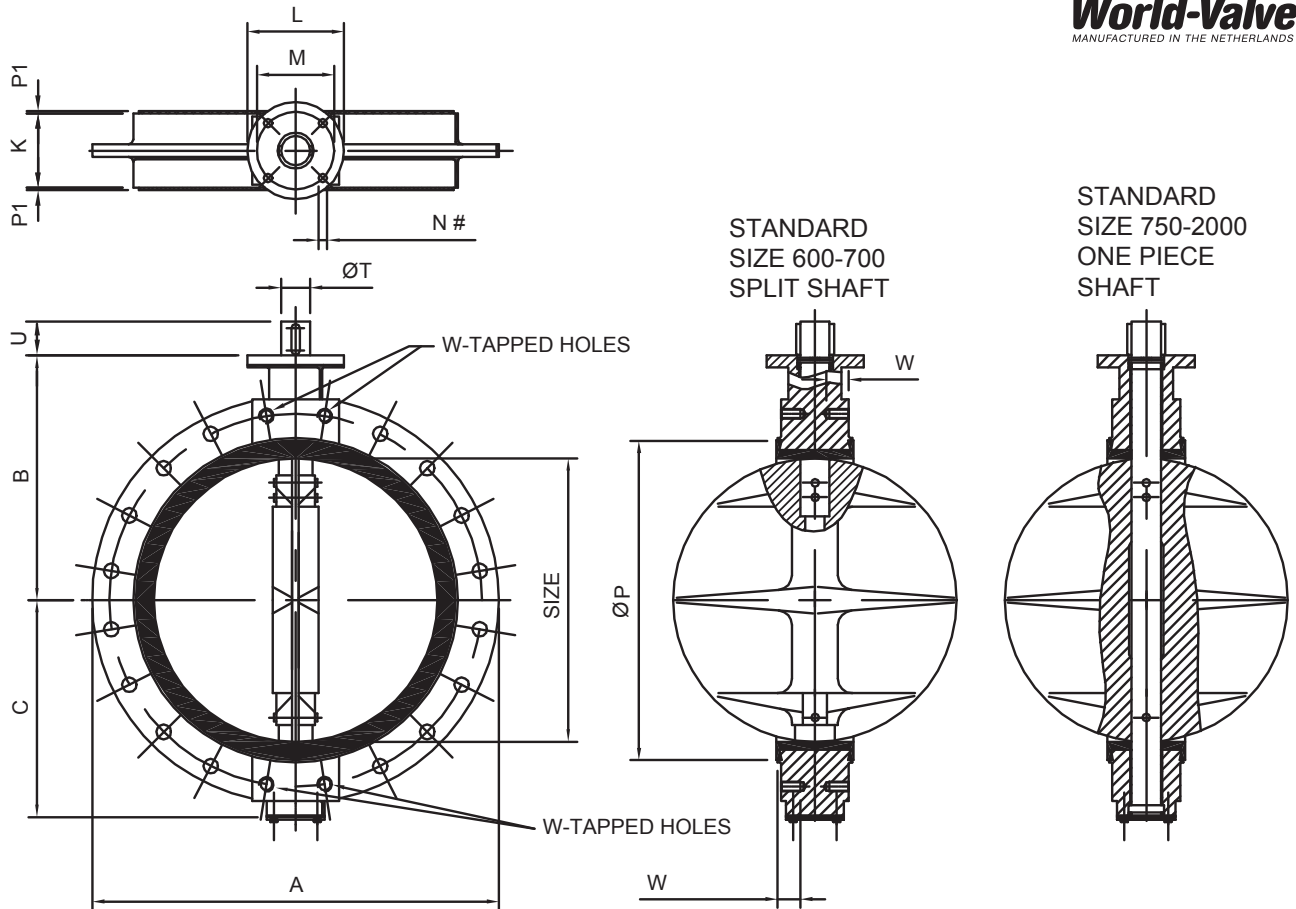
BODY	B-AL.BRONZE	A-AISI-304 C-AISI-316	S-RST- 37/2 G-GSC-25	K-SILUMIN	
DISC	J-DUPLEX	H-HASTELLOY			
SHAFT AND PINS	M-MONEL K-500	H-HASTELLOY	J-DUPLEX		
LINER	V-VITON	H-HYPALON	S-SILICONE	N-NITRIL FOOD	U-VULKOLAN

TOPFLANGE ACC. ISO-5211

FACE TO FACE DIMENSIONS ACCORDING **WORLD-VALVE STANDARD**

WVTB-70-1-M

WAFER TYPE WITH MONO FLANGE



DIMENSIONS

SIZE mm	SIZE inch	A	B	C	K	L	ISO 5211 M	N (#)	P	P1	T	U	W	Kg
600	24	825	468	425	154	210	165	22 (4)	650	3	60	70	45	198
700	28	900	533	464	150	300	254	18 (8)	760	3	70	85	45	238
750	30	984	575	495	150	300	254	18 (8)	810	3	70	85	40	286
800	32	1010	642	539	150	350	298	22 (8)	870	3	80	85	40	298
900	36	1120	670	580	220	350	298	22 (8)	970	3	90	100	45	390
1000	40	1230	746	646	220	350	298	22 (8)	1070	3	90	100	50	470
1200	48	1485	841	737	254	415	356	32 (8)	1270	3	110	105	70	740
1300	52	1625	915	845	320	415	356	32 (8)	1389	3	110	150	70	920
1350	54	1685	975	905	320	415	356	32 (8)	1435	3	110	150	70	1050
1400	56	1685	975	905	320	415	356	32 (8)	1490	3	110	150	90	1080
1500	60	1854	1030	960	320	475	406	38 (8)	1605	3	110	150	90	1280
1600	64	1930	1160	1000	320	475	406	38 (8)	1690	3	120	150	100	1600
1800	72	2130	1200	1100	490	475	406	38 (8)	1900	3	120	150	100	1850
2000	80	2345	1310	1200	540	475	406	38 (8)	2105	3	140	180	100	2150

K = FACE TO FACE ACC. WORLD-VALVE STANDARD
 (#) = NUMBER OF HOLES

PRESSURE TABLE

STANDARD DELIVERY				WHEN REQUESTED			
STANDARD WORKING/TESTPRESSURE				MAXIMUM WORKING/TESTPRESSURE			
SIZE mm	WP ΔP-BAR	TP ΔP-BAR	SHAFT ONE PIECE	SIZE mm	WP ΔP-BAR	TP ΔP-BAR	ONE PIECE SHAFT
600-700	6	7	-	600-1400	10	11	YES
750-1400	6	7	YES				
1500-2000	4	5	YES				

BODY TEST 1.5X PN

FACE TO FACE DIMENSIONS ACCORDING **WORLD-VALVE STANDARD**