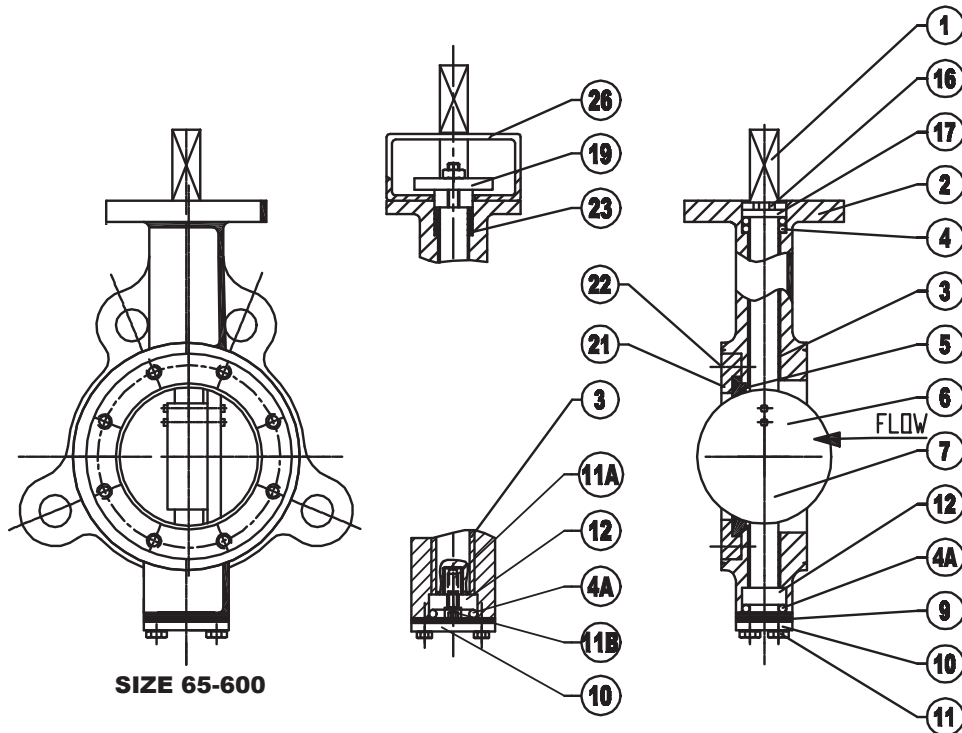


WVTB-ISOLEX

WAFER TYPE DOUBLE ECCENTRIC - RENEWABLE SEAT



World-Valve
MANUFACTURED IN THE NETHERLANDS



SIZE 65-600

1	AS	SHAFT	SPINDEL	HUSILLO
2	AFSLUITERHUIS	BODY	GEHÄUSE	CAJA
3	LAGERBUS	BEARING	LAGERBUCHSE	COJINETTE
4	O-RING	O-RING	O-RING	ANILLO-O
4A	O-RING	O-RING	O-RING	ANILLO-O
5	AFDICHTING	SEAT	DICHTUNG	MANQUITO
6	PEN	PIN	STIFT	CLAVIJA
7	KLEP	DISC	KLAPPENSCHIEBE	VALVULA
8	AS	SHAFT	SPINDEL	HUSILLO
9	PAKKING	PACKING	PACKUNG	EMPAQUETADURA
10	ACHTERPLAAT	COVER PLATE	LAGERDECKEL	TAPA
11	BOUT	BOLT	SCHRAUBE	PERNO
11A	BOUT	BOLT	SCHRAUBE	PERNO
11B	BOUT	BOLT	SCHRAUBE	PERNO
12	DRUKLAGER	THRUST BEARING	DRUCKLAGER	COJINETTE
16	BORGRING	LOCK WASHER	SICHERUNGSRING	ANILLO DE SOJECION
17	RING	RING	RING	ILAVE
19	PAKKINGDRUKKER	GLAND	STOPFBUCHSENBRILLE	CASQUILLO PRESAETOP
21	KLEMRING	CLAMPING RING	KLEMMRING	ANILLO DE RETENIDA
22	BOUT	BOLT	SCHRAUBE	PERNO
23	PAKKING	PACKING	PACKUNG	EMPAQUETADURA
26	BRUGSTUK	BRACKET	ZWISCHENSTÜCK	PIEZA INTERMEDIA

FLANGE CONNECTION
DIN-PN 6/10/16
ANSI-CLASS 125/150
JIS-5/10
JIS-16K
WHEN REQUESTED

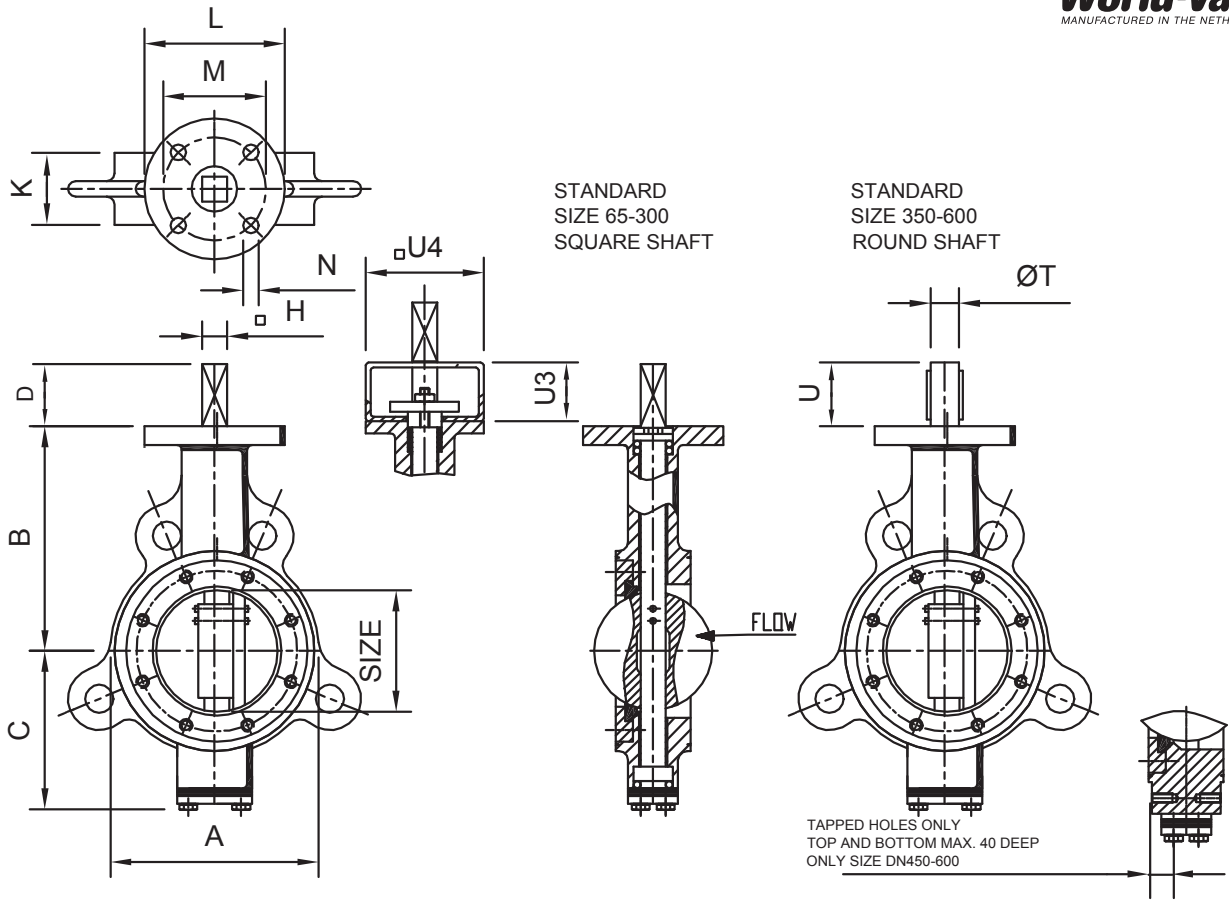
FIGURE: MATERIAL COMBINATION			
TYPE	B	C	D
BODY	STANDARD DUCTILE IRON GGG-40		
DISC	AL.BRONZE	AISI-316	AL.BRONZE
SHAFT	AISI-316	AISI-316	AL.BRONZE
PINS	STANDARD DUPLEX		
SHAFT SEAL	STANDARD BUNA-N OR VITON		
SEAT	SIZE 65-400 STANDARD PTFE SIZE 450-600 STANDARD BUNA-N OR EPDM		

WHEN REQUESTED					
BODY	B-AL.BRONZE	A-AISI-304 C-AISI-316	S-RST-37/2 G-GS-C25	K-SILUMIN	
DISC	J-DUPLEX	H-HASTELLOY			
SHAFT PACKING	R-GRAFOIL	T-PTFE			
SHAFT AND PINS	M-MONEL K-500	H-HASTELLOY	J-DUPLEX		
SEAT	V-VITON S-SILICONE	FIRESAFE/DESIGN F-PTFE/INCONEL	METAL-SEAT I-INCONEL	K-PTFE+AISI-316	T-PTFE
TOPFLANGE ACC. ISO-5211					

FACE TO FACE DIMENSIONS ACCORDING INTERNATIONAL STANDARDS

WVTB-ISOLEX

WAFER TYPE DOUBLE ECCENTRIC - RENEWABLE SEAT



DIMENSIONS

SIZE mm	SIZE inch	A	B	C	D	H	K	L	M	N	T	U	U3	U4	Kg
65	2.5	125	136	80	37	12	46	90	66	9	16	40	100	100	5
80	3	140	144	110	37	12	46	90	66	9	16	40	100	100	7
100	4	160	154	115	37	12	52	90	66	9	16	40	100	100	8
125	5	190	184	130	37	16	56	130	80	11	20	40	100	150	13
150	6	215	194	144	37	16	56	130	80	11	20	40	100	150	16
175	7	245	206	155	37	16	60	130	80	11	20	40	100	150	20
200	8	270	229	180	37	16	60	130	80	11	22	40	100	150	24
250	10	326	261	210	37	24	68	175	135	14	30	50	100	200	48
300	12	375	286	240	37	24	78	175	135	14	30	50	100	200	68
350	14	435	322	284	-	-	78	175	135	14	35	50	100	200	87
400	16	485	352	305	-	-	102	175	140	18	40	60	100	200	125
450	18	535	380	330	-	-	114	175	140	18	50	60	100	200	148
500	20	590	420	370	-	-	127	175	140	18	50	60	100	200	201
600	24	840	525	445	-	-	154	210	165	22	60	70	200	300	305

WHEN REQUESTED: BI-DIRECTIONAL SHUT OFF
M = TOPFLANGE SIZE 400-600 ACC. ISO-5211
K = FACE TO FACE ACC. DIN-3202 K1 (ISO SERIES 20) (BS-SHORT) (API-609)

PRESSURE TABLE

STANDARD DELIVERY			WHEN REQUESTED		
STANDARD WORKING/TESTPRESSURE			MAXIMUM WORKING/TESTPRESSURE		
SIZE mm	WP ΔP-BAR	TP ΔP-BAR	SIZE mm	WP ΔP-BAR	TP ΔP-BAR
65-600	10	11	65-600	16	18
			65-250	25	28

BODY TEST 1.5X PN

FACE TO FACE DIMENSIONS ACCORDING INTERNATIONAL STANDARDS